



TERMINATOR SERIES

Grinders

TG series



TG Terminator Grinder Series

Welcome in the “New Era” of grinders!

An uniform and correct treatment of solids is necessary in wastewater application and sludge handling system.

However, it is often difficult to choose the right solution at the right cost.

Our TG series for solids size reduction it is one of the most innovative solutions that you can found in the market.

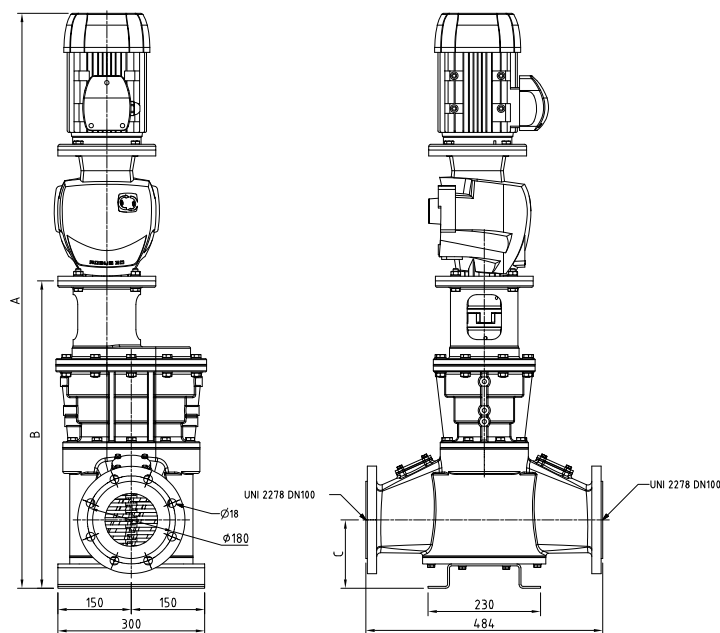
We are proud for the extremely tough design combined with a flexible internal component configuration.

This is the best approach to achieve benefits while preserving savings.

Furthermore, the accessories and options that we designed allow us to create YOUR shredder.

The main features and benefits of the grinders are:

- Equipment protection
 - Protect your pumps from the solids part
 - Increases the lifetime of components subject to wear
 - Protect your critical equipment from damages due to tough solids
 - Your unforeseen shutdown will significant decrease
- Proper treatment operations
 - We block the inorganic material, organic stay in the process
 - More material processed means less waste compared to screening
 - Reduction of the organic material improve the quality of your process
- Operating cost decrease
 - Choose a smaller piping and pumps
 - Shorter pump run cycles and lower electrical power consumption
 - Better cleaning of the plants



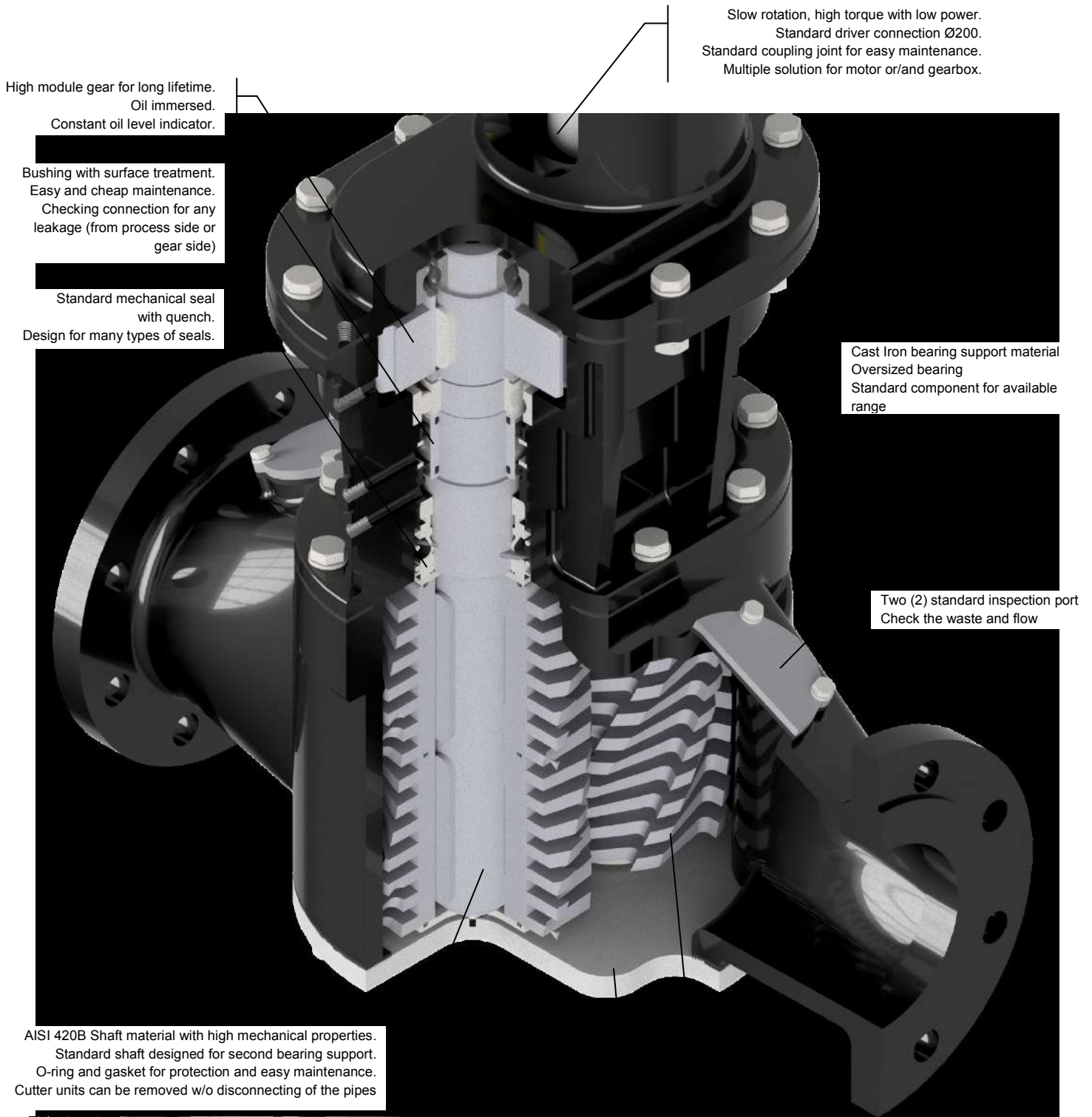
Model	Power (kW)	Flow Rate (m ³ /h)	Pipeline Size (mm)	Pressure Drop	Standard Dimensions			Approximate Net Weight (kg)
					A	B	C	
TGR 5	1,1 – 1,5				1180	629	140	220
TGS 5	1,5 – 2,2	100	100	0,05	1216	700	212	250
TGC 5	1,1 – 1,5				1263	783	294	230

TGR = Standard version, cantilever design.

TGS = Strong version with second bearing housing for heavy duty application.

TGC = Standard version with stone catcher.

Detailed characteristics



High module gear for long lifetime.
Oil immersed.
Constant oil level indicator.

Bushing with surface treatment.
Easy and cheap maintenance.
Checking connection for any leakage (from process side or gear side)

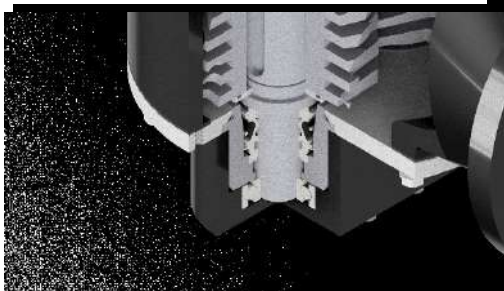
Standard mechanical seal with quench.
Design for many types of seals.

Slow rotation, high torque with low power.
Standard driver connection Ø200.
Standard coupling joint for easy maintenance.
Multiple solution for motor or/and gearbox.

Cast Iron bearing support material
Oversized bearing
Standard component for available range

Two (2) standard inspection port
Check the waste and flow

AISI 420B Shaft material with high mechanical properties.
Standard shaft designed for second bearing support.
O-ring and gasket for protection and easy maintenance.
Cutter units can be removed w/o disconnecting of the pipes



Two type hardened steel.
One (1) cartridge cutters standard for all size.
Reduced stock spare parts.
Very simple maintenance of the cutter units.
Three (3) optional profiles for various cutting dimensions

Standard bottom cover.
Easy solution for checking the cutters.
Stone catcher can be adapted easily.

