

RC FLAP GATE

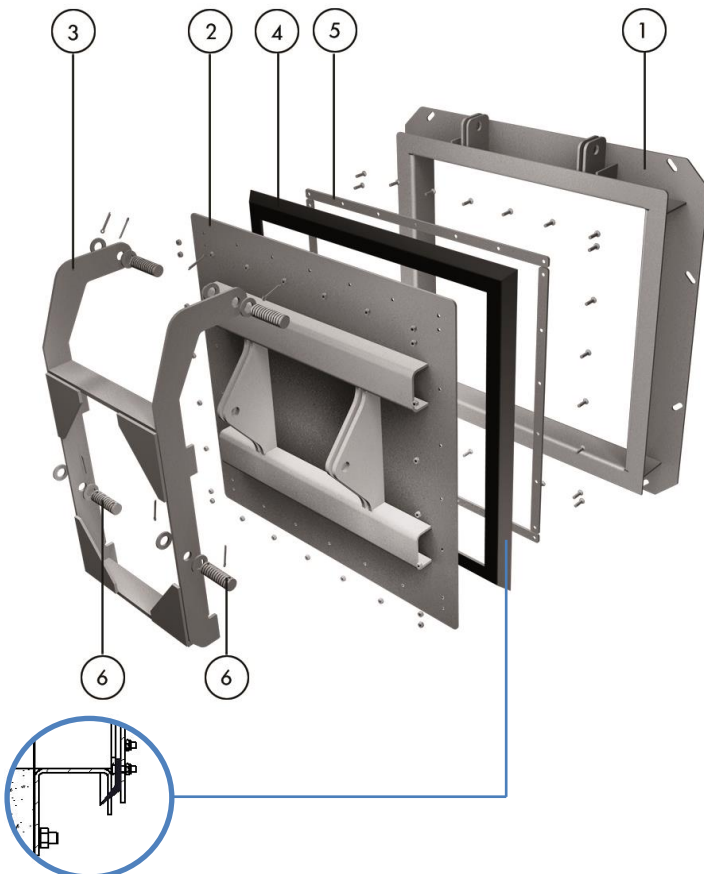
The RC flap gate is a square or rectangular shaped gate designed for discharge lines such as levees, sewer lines and drainage conduits, when closed preventing back-flow and opening automatically when the unseating water head is higher than the seating water head

Product description:

- Size range of 150x150 up to 2000x2000
- Seating head pressure of 5 m.w.c
- Stainless steel fabricated construction. Different stainless steel grades available
- Opening and closing by seating and unseating head differential pressure. Hydraulic actuators available for fast opening applications (i.e.: storm tanks)
- Designed according to DIN 19569

Features:

- Double pivoting arm to allow proper flap seating and tight sealing
- Self-adjusting lip EPDM seal design ensuring watertight performance even with low seating water heads
- Mounting options: wall mount, wall thimble mount or standard flange mount
- Leakage rate as per DIN 19569-4 Class 3

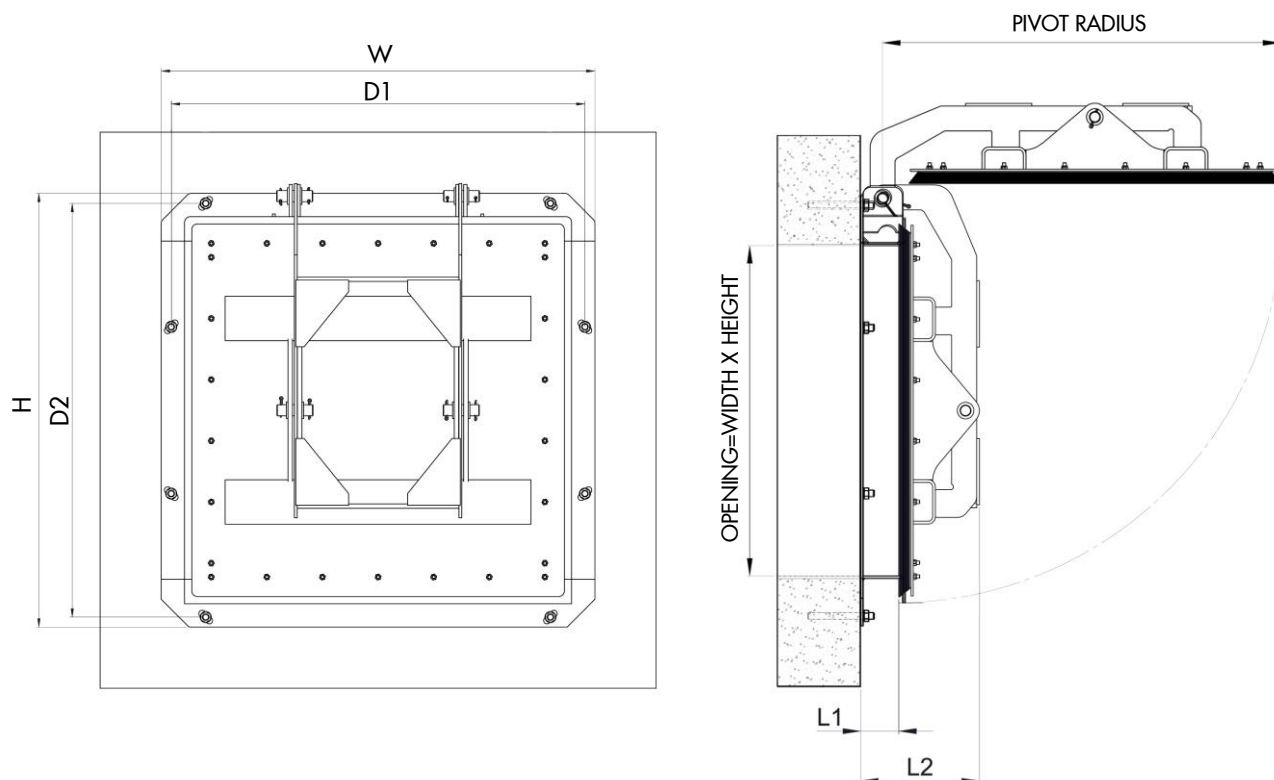


STANDARD MATERIAL OF CONSTRUCTION

ITEM	DESCRIPTION	MATERIAL
1	Frame	AISI 304L / AISI 316L
2	Flap	AISI 304L / AISI 316L
3	Pivot Arm	AISI 304L / AISI 316L
4	Seal	EPDM
5	Seal Retainer	AISI 304L / AISI 316L
6	Hinge Pin	AISI 304L / AISI 316L

RC FLAP GATE

DIMENSIONS



SIZE (mm) Opening Width	SIZE (mm) Opening Height	W	H	D1	D2	L1	L2	PIVOT RADIUS
150	150	330	330	300	300	100	153	267
200	200	380	380	350	350	100	153	316
300	300	480	480	450	450	100	153	415
400	400	580	580	550	550	100	153	514
500	500	680	680	650	650	100	153	614
600	600	780	780	770	770	100	153	714
700	700	880	880	870	870	100	226	814
800	800	980	980	970	970	100	226	913
900	900	1080	1080	1070	1070	100	226	1013
1000	1000	1200	1200	1170	1170	100	226	1113
1100	1100	1300	1300	1270	1270	100	231	1213
1200	1200	1400	1400	1370	1370	100	231	1313
1300	1300	1500	1500	1470	1470	100	231	1413
1400	1400	1600	1600	1570	1570	100	231	1513
1500	1500	1700	1700	1670	1670	100	288	1613
2000	2000	2200	2200	2170	2170	100	398	2113

These dimensions are only for information only.
Do not use for installation or submittal purposes