

MU PENSTOCK BIDIRECTIONAL

1300 x 1300 - 4000 x 4000

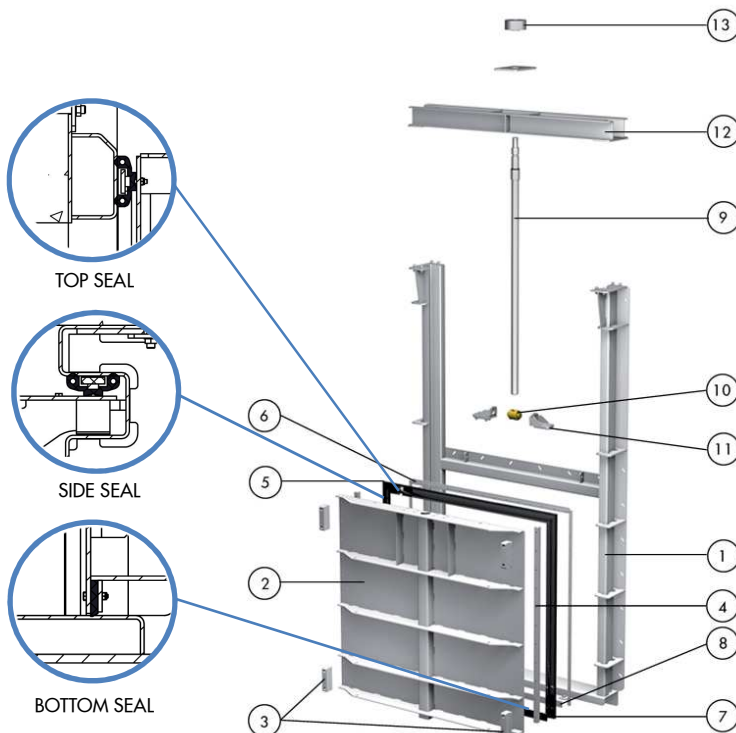
The MU model penstock is a four-side sealing wall-mounted penstock suitable for different type of applications in the water and waste water treatment plants, pumping stations, storm tanks, desalination plants, irrigation, dams and reservoirs, etc.

Product description:

- Bidirectional
- Size range up to 4000x4000
- Seating and unseating head pressure as required
- Stainless steel fabricated construction. Different stainless steel grades available
- Rising & non-rising stem configurations available
- Manual (handwheel and bevel gear), pneumatic (single and double-acting), electric and hydraulic actuation options available
- Designed according to DIN 19569. Design as per AWWA C561 or BS 7775 also available

Features:

- Open frame (rising stem) and self-contained (non rising stem) configurations
- Self-cleaning HMWPE gate guides for low friction during operation, minimizing thrust and maximizing seal life
- Self-adjusting double-lip EPDM seal design without wedges thus resulting in a lower torque requirement
- Yoke or pedestal mounted actuators. Inclined, straight and straight-on-bracket pedestals available
- Stem extensions for high operating floor levels, including the required stem guides
- Mounting options: standard embedded in concrete, also wall mounted
- Designed both for elevated and flush bottom installation
- Leakage rate as per DIN 19569-4 Class 5 (1,2 l/min per meter)



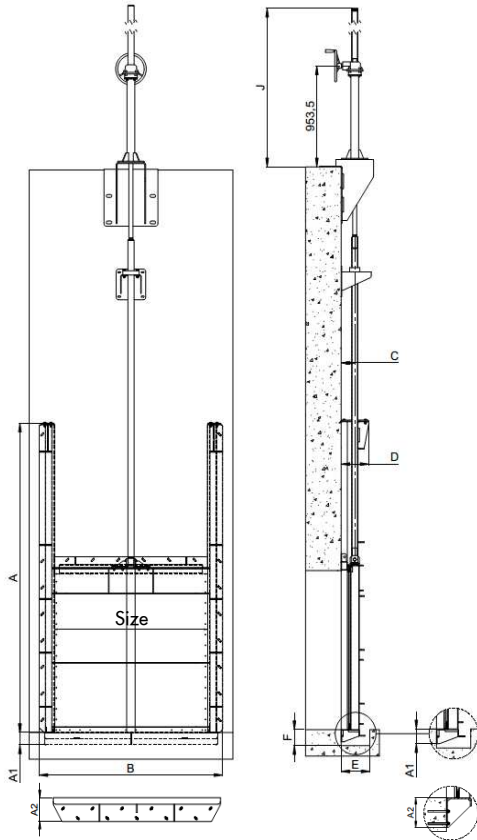
STANDARD MATERIAL OF CONSTRUCTION

ITEM	DESCRIPTION	MATERIAL (standard)
1	Frame	AISI 304L / AISI 316L
2	Slide	AISI 304L / AISI 316L
3	Front guides	Polyethylene (HMWPE)
4	Guides	Polyethylene (HMWPE)
5	Seal	EPDM
6	Seal Retainer	AISI 304L / AISI 316L
7	Bottom Seal	EPDM
8	Bottom Seal Retainer	AISI 304L / AISI 316L
9	Stem	Stainless Steel
10	Stem Nut	Bronze
11	Stem Nut Bracket	AISI 304L / AISI 316L
12	Yoke	AISI 304L / AISI 316L
13	Stem Coupling	AISI 304L / AISI 316L

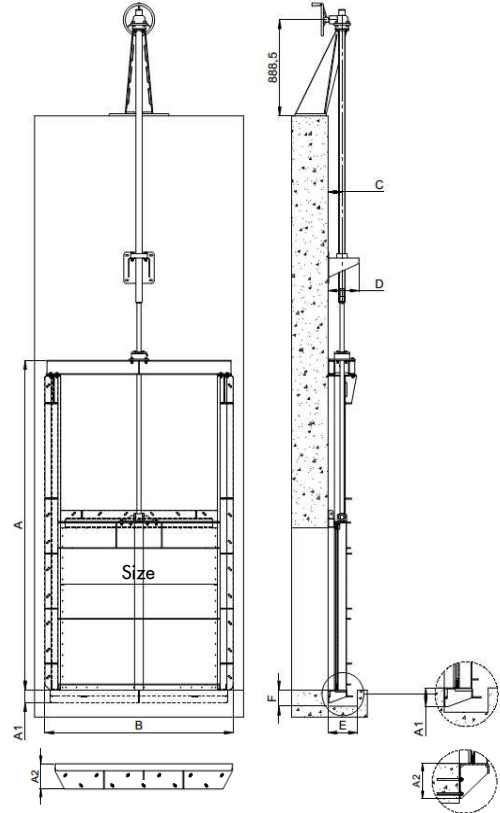
MU

PENSTOCK BIDIRECTIONAL 1300 x 1300 - 4000 x 4000

RISING STEM



NON RISING STEM



RISING STEM

SIZE (mm) Opening	A	B	A1	A2	C	D	J	E x F
1300 x 1300	2816	1644	115	220	151	295	2450	280 x 150
1500 x 1500	3216	1844	115	220	151	295	2650	280 x 150
1600 x 1600	3416	1944	115	220	151	295	2750	280 x 150
1800 x 1800	3816	2144	115	220	151	295	2950	280 x 150
2000 x 2000	4216	2344	115	220	151	295	3150	280 x 150
2500 x 2500	5216	2844	115	220	151	295	3650	280 x 150
3000 x 3000	6216	3344	115	220	151	295	4150	280 x 150
4000 x 4000	8216	4344	115	220	151	295	5150	280 x 150

NON RISING STEM

SIZE (mm) Opening	A	B	A1	A2	C	D	J	E x F
1300 x 1300	2906	1644	115	220	151	295	2450	280 x 150
1500 x 1500	3306	1844	115	220	151	295	2650	280 x 150
1600 x 1600	3546	1944	115	220	151	295	2750	280 x 150
1800 x 1800	3956	2144	115	220	151	295	2950	280 x 150
2000 x 2000	4378	2344	115	220	151	295	3150	280 x 150
2500 x 2500	5418	2844	115	220	151	295	3650	280 x 150
3000 x 3000	6500	3344	115	220	151	295	4150	280 x 150
4000 x 4000	8500	4344	115	220	151	295	5150	280 x 150

NOTE:

These dimensions are only for reference. Do not use for installation or submittal purposes

For other dimensions other than those above, please contact us (For ones below 1300x1300, standard MU penstocks are usually installed)