

MODEL

GF

GOGGLE DAMPER

The goggle damper consists of a specially designed valve which is used when there is a need to isolate an area of piping to allow people to gain access, without air sealing and in environments with high concentrations of dust. Once the gate is closed, it is then pushed by hydraulic jacks to press it against the closure, thus ensuring air tightness.

The ORBINOX standard goggle damper model is designed for operation at pressures of up to 500 mbar, with recommended speeds of below 30 m/s and temperatures of up to 200°C.

When the goggle is completely open, the conduit is completely clear and therefore there are hardly any load losses. This damper cannot be used for regulation purposes.

STANDARD GOGGLE DAMPER (GF)

Description

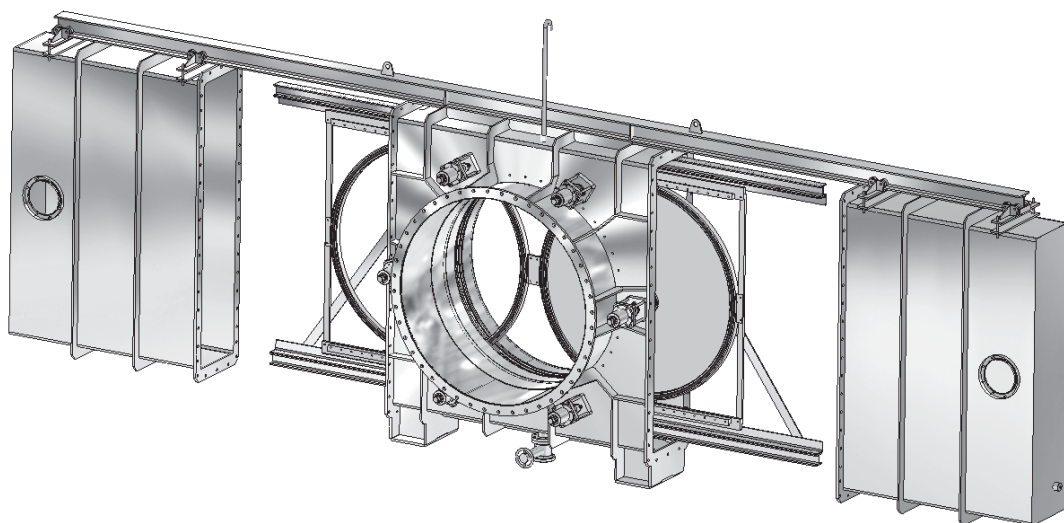
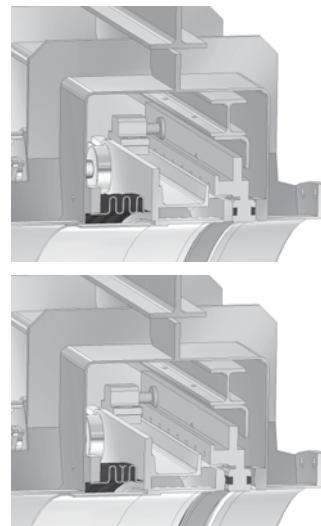
The goggle damper is made up of a gate which slides along metal guides, closing the conduit completely. The ends are joined to the conduits by means of flanges. The damper is normally supplied as a single part, except for applications in which the dimensions of the unit require special transport.

Construction

The body of the goggle damper is a fabricated construction which can be made of different materials. Standard construction supplies include diameters ranging from 500 mm (minimum) to 2400 mm although, on request, larger sizes can be constructed.

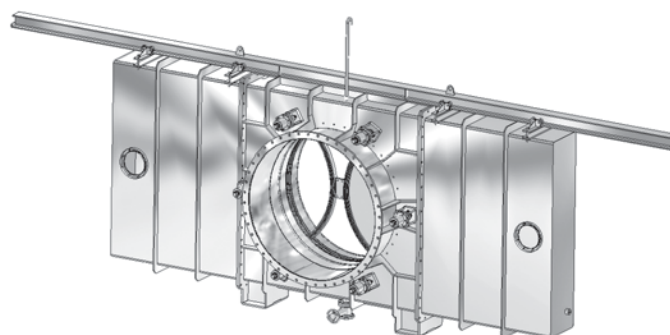
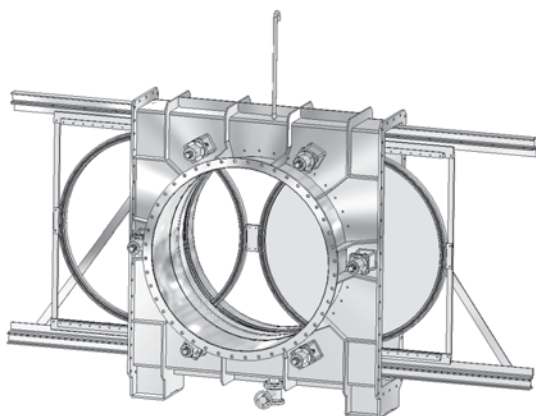
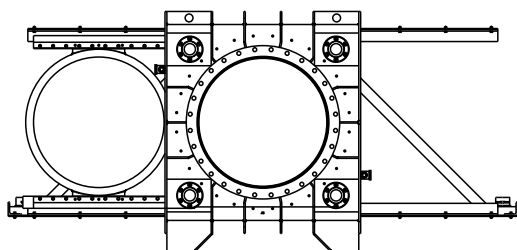
Seating options

Closure is achieved by pressing the gate with hydraulic jacks against a soft seat, thus achieving the high level of air tightness necessary for maintenance and repair tasks.

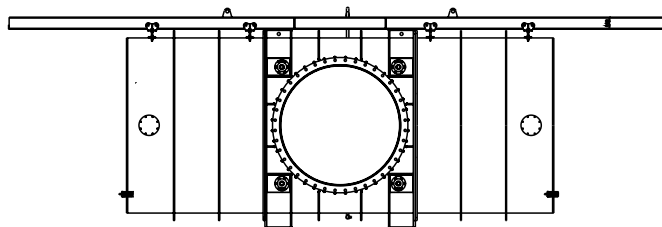


MODEL**GF****Bonnet**

Goggle dampers may be supplied with or without bonnet. For dampers with bonnet, a railed beam is supplied to facilitate assembly and disassembly.

**APPROXIMATE DIMENSIONS**

Without bonnet



With bonnet

DN	A	WITHOUT BONNET		WITH BONNET	
		B	C	B	C
500	650	2850	1250	3900	1600
600	700	3150	1350	4410	1700
700	700	3450	1450	4920	1800
800	800	3950	1550	5630	1900
900	800	4250	1650	6140	2000
1000	800	4550	1750	6650	2150
1200	900	5180	1950	7700	2350
1400	1000	6010	2180	8950	2580
1600	1000	6310	2380	9670	2780
1800	1000	6610	2580	10390	2980
2000	1000	7230	2780	11430	3180
2200	1000	8630	2980	13250	3380
2400	1200	9280	3180	14320	3580