

PLUG VALVE

Sleeved Plug Valve
PN16, DN15~DN100

MODEL: KPD-PVF

» Features

- Bi-directional bubble-tight seal independent of line pressure.
- Self-lubricating with little to no maintenance.
- PTFE sleeve retained by special 360° metal lip around the ports.
- Free of cavity to entrap flow media.
- In-line seal adjustable independent of shaft seal, even when mounted with actuator.
- Suitable for use in petrochemical, chemical, mining industries.
- Manual operation as standard, with ISO 5211 bracket for actuator mounting.
- Available in flanged, butt-welding, and socket-welding connections.
- Size range from DN 15~DN600.

» Standards

- Basic design and manufacture to API 599
- Face to face acc. to EN 558
- Flange end dimension to EN 1092-1
- Pressure Test to EN 12266-1
- Conformity to Directive 2014/68/EU

» Also available

- Inverted Lubricated Plug Valve
- Jacketed Sleeved Plug Valve

» Temperature Range

- 10°C to 180°C (-14°F to 350°F)

Material List

No.	PARTS NAME	MATERIALS
1	Body	1.0619/1.4308/1.4408
2	Plug	1.4308/1.4408
3	Liner	PTFE
4	Wedge Gasket	PTFE
5	Gasket	PTFE
6	Bonnet	1.0619/1.4308/1.4408
7	Gland	A182 F6A/F304/F316
8	O-Ring	Viton
9	Small ball	S.S
10	Small spring	S.S
11	Gland Flange	1.0619/1.4308/1.4408
12	Gland bolt	A193 B7/B8
13	Gland Nut	A194 2H/8
14	Yoke	Carbon Steel
15	Bonnet bolt	A193 B7/B8
16	Bonnet Nut	A194 2H/8
17	Spring ring	C.S./S.S.
18	Lever/Gear	Carbon Steel

Dimensions (mm)

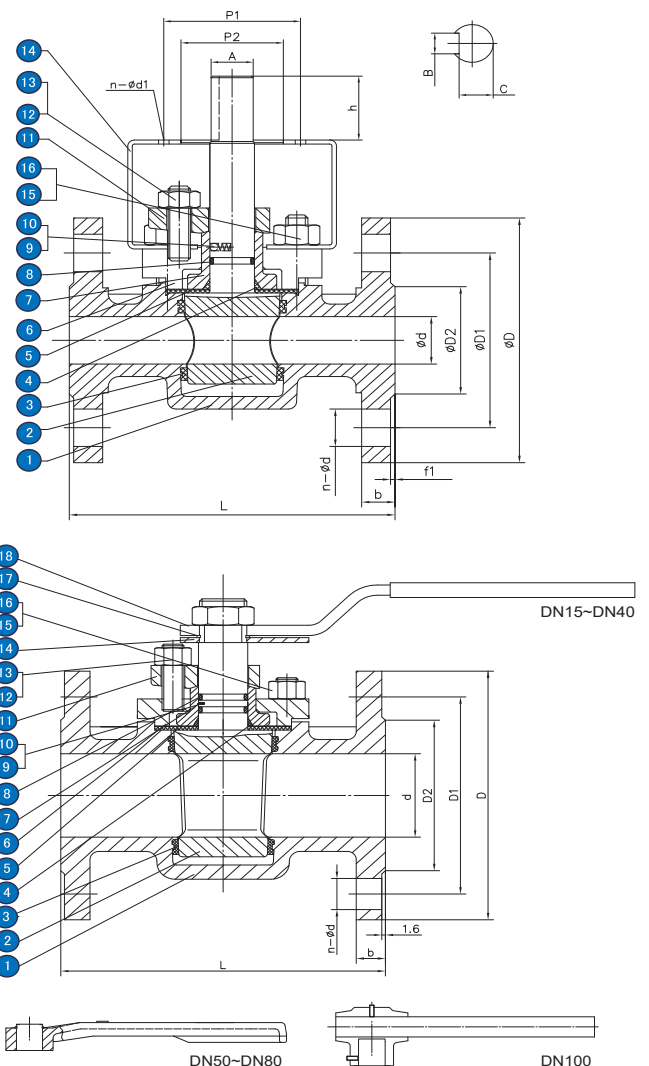
Size		Bare Stem									Main Dimensions						
IN	DN	h	A	B	C	P1	P2	n-Ød1	ISO	Torque N.m	d	D	D1	D2	L	b-f1	n-Ød
1/2"	15	30	12	4	9.5	50	35	4-Ø8	F05	25	13	95	65	45	130	16-2	4-Ø14
3/4"	20	30	12	4	9.5	50	35	4-Ø8	F05	30	19	105	75	58	150	18-2	4-Ø14
1"	25	35	14	5	11	70	55	4-Ø9	F07	40	25	115	85	68	160	18-2	4-Ø14
1 1/4"	32	35	21	6	17.5	70	55	4-Ø9	F07	45	32	140	100	78	180	18-2	4-Ø18
1 1/2"	40	35	21	6	17.5	70	55	4-Ø9	F07	65	38	150	110	88	200	18-3	4-Ø18
2"	50	35	26	8	22	70	55	4-Ø9	F07	80	51	165	125	102	230	18-3	4-Ø18
2 1/2"	65	35	26	8	22	70	55	4-Ø9	F07	80	51	185	145	122	290	18-3	8-Ø18
3"	80	35	32	10	27	70	55	4-Ø9	F07	160	76	200	160	138	310	20-3	8-Ø18
4"	100	45	35	10	30	102	70	4-Ø11	F10	300	102	220	180	158	350	20-3	8-Ø18

Note: Torque calculated at maximum pressure differential, safety factor is not included.

KLINGER Portugal, Ltd.

Tel +351 229 470 910 | www.klinger.pt | geral@klinger.pt

trusted. worldwide.



PLUG VALVE

Sleeved Plug Valve
PN16, DN125~DN400

MODEL: KPD-PVF

» Features

- Bi-directional bubble-tight seal independent of line pressure.
- Self-lubricating with little to no maintenance.
- PTFE sleeve retained by special 360° metal lip around the ports.
- Free of cavity to entrap flow media.
- In-line seal adjustable independent of shaft seal, even when mounted with actuator.
- Suitable for use in petrochemical, chemical, mining industries.
- Manual operation as standard, with ISO 5211 bracket for actuator mounting.
- Available in flanged, butt-welding, and socket-welding connections.
- Size range from DN 15~DN600.

» Standards

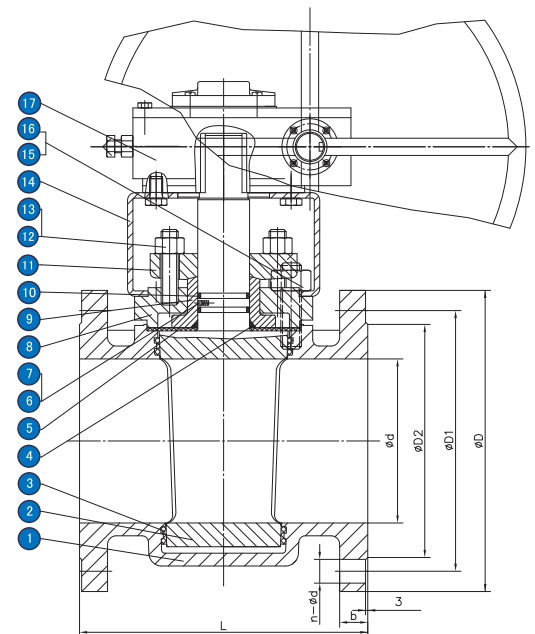
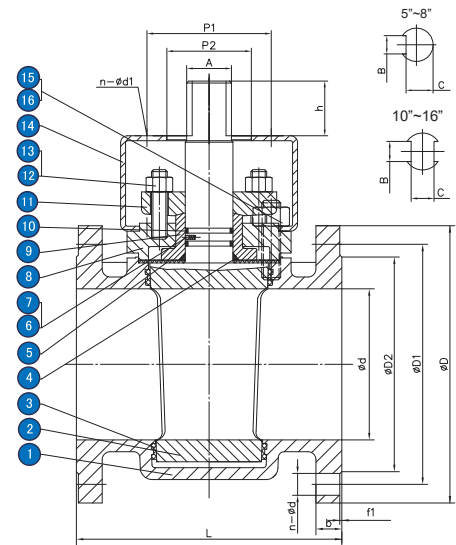
- Basic design and manufacture to API 599
- Face to face acc. to EN 558
- Flange end dimension to EN 1092-1
- Pressure Test to EN 12266-1
- Conformity to Directive 2014/68/EU

» Also available

- Inverted Lubricated Plug Valve
- Jacketed Sleeved Plug Valve

» Temperature Range

-10°C to 180°C (-14°F to 350°F)



Material List

No.	PARTS NAME	MATERIALS
1	Body	1.0619/1.4308/1.4408
2	Plug	1.4308/1.4308/1.4408
3	Liner	PTFE
4	Wedge Gasket	PTFE
5	Gasket	PTFE
6	Small ball	S.S
7	Small spring	S.S
8	Bonnet	1.0619/1.4308/1.4408
9	Gland	A182 F6A/F304/F316
10	O-Ring	Viton
11	Gland Flange	1.0619/1.4308/1.4408
12	Gland bolt	A193 B7/B8/B8
13	Gland Nut	A194 2H/8/8
14	Yoke	Carbon Steel
15	Bonnet bolt	A193 B7/B8/B8
16	Bonnet Nut	A194 2H/8/8
17	Gear	Carbon Steel

Dimensions (mm)

Size		Bare Stem								Main Dimensions							
IN	DN	h	A	B	C	P1	P2	n-Ød1	ISO	Torque N.m	d	D	D1	D2	L	b-f1	n-Ød
5"	125	55	45	14	39.5	125	85	4-Ø14	F12	600	127	250	210	188	325	22-3	8-Ø18
6"	150	55	45	14	39.5	125	85	4-Ø14	F12	850	152	285	240	212	350	22-3	8-Ø22
8"	200	65	50	14	44.5	140	100	4-Ø18	F14	1200	203	340	295	268	400	24-3	12-Ø22
10"	250	65	60	18	46	140	100	4-Ø18	F14	2200	254	405	355	320	450	26-3	12-Ø26
12"	300	80	65	18	51	165	130	4-Ø22	F16	3000	305	460	410	378	500	28-4	12-Ø26
14"	350	110	70	20	55	254	200	8-Ø18	F25	5000	337	520	470	438	550	30*4	16-Ø26
16"	400	110	75	20	60	254	200	8-Ø18	F25	6000	387	580	525	490	600	32-4	16-Ø30

Note: Torque calculated at maximum pressure differential, safety factor is not included.

KLINGER Portugal, Ltd.

Tel +351 229 470 910 | www.klinger.pt | geral@klinger.pt

trusted. worldwide.

PLUG VALVE

Sleeved Plug Valve
PN16, DN450

MODEL: KPD-PVF

» Features

- Bi-directional bubble-tight seal independent of line pressure.
- Self-lubricating with little to no maintenance.
- PTFE sleeve retained by special 360° metal lip around the ports.
- Free of cavity to entrap flow media.
- In-line seal adjustable independent of shaft seal, even when mounted with actuator.
- Suitable for use in petrochemical, chemical, mining industries.
- Manual operation as standard, with ISO 5211 bracket for actuator mounting.
- Available in flanged, butt-welding, and socket-welding connections.
- Size range from DN 15~DN600.

» Standards

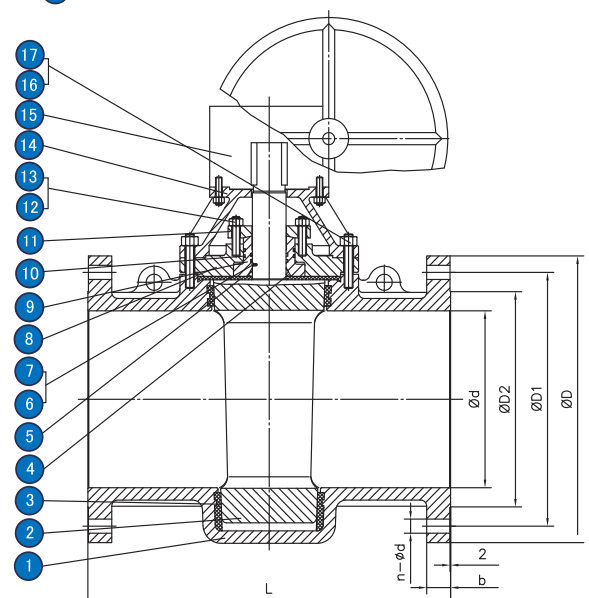
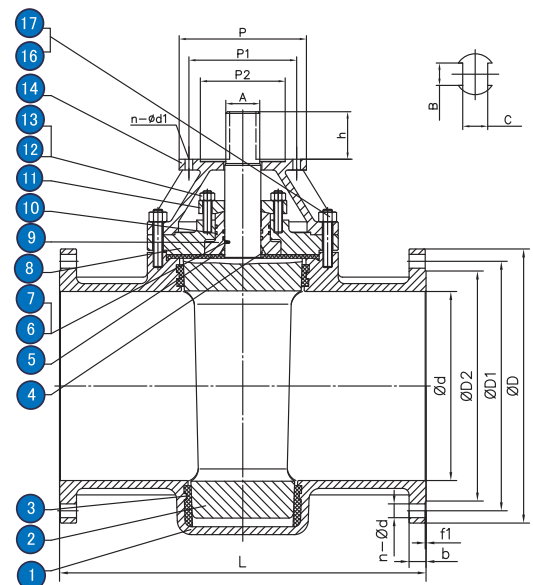
- Basic design and manufacture to API 599
- Face to face acc. to EN 558
- Flange end dimension to EN 1092-1
- Pressure Test to EN 12266-1
- Conformity to Directive 2014/68/EU

» Also available

- Inverted Lubricated Plug Valve
- Jacketed Sleeved Plug Valve

» Temperature Range

- 10°C to 180°C (-14°F to 350°F)



Material List

No.	PARTS NAME	MATERIALS
1	Body	1.0619/1.4308/1.4408
2	Plug	1.4308/1.4408
3	Liner	PTFE
4	Wedge Gasket	PTFE
5	Gasket	PTFE
6	Small ball	S.S
7	Small spring	S.S
8	Bonnet	1.0619/1.4308/1.4408
9	Gland	A182 F6A/F304/F316
10	O-Ring	Viton
11	Gland Flange	1.0619/1.4308/1.4408
12	Gland Bolt	A193 B7/B8
13	Gland Nut	A194 2H/8
14	Yoke	Carbon Steel
15	Gear Operator	Carbon Steel
16	Bonnet Bolt	A193 B7/B8
17	Bonnet Nut	A194 2H/8

Dimensions (mm)

Size		Bare Stem										Main Dimensions						
IN	DN	h	A	B	C	P	P1	P2	n-Ød1	ISO	Torque N.m	d	D	D1	D2	L	b-f1	n-Ød
18"	450	110	80	22	62	300	254	200	8-Ø18	F25	8640	438	640	585	550	650	40-4	20-Ø30

Note: Torque calculated at maximum pressure differential, safety factor is not included.

PLUG VALVE

Sleeved Plug Valve
PN16, DN500~DN600

MODEL: KPD-PVF

» Features

- Bi-directional bubble-tight seal independent of line pressure.
- Self-lubricating with little to no maintenance.
- PTFE sleeve retained by special 360° metal lip around the ports.
- Free of cavity to entrap flow media.
- In-line seal adjustable independent of shaft seal, even when mounted with actuator.
- Suitable for use in petrochemical, chemical, mining industries.
- Manual operation as standard, with ISO 5211 bracket for actuator mounting.
- Available in flanged, butt-welding, and socket-welding connections.
- Size range from DN 15~DN600.

» Standards

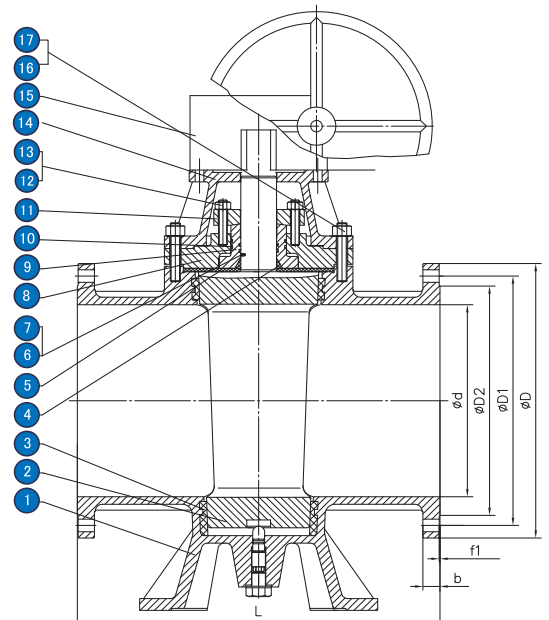
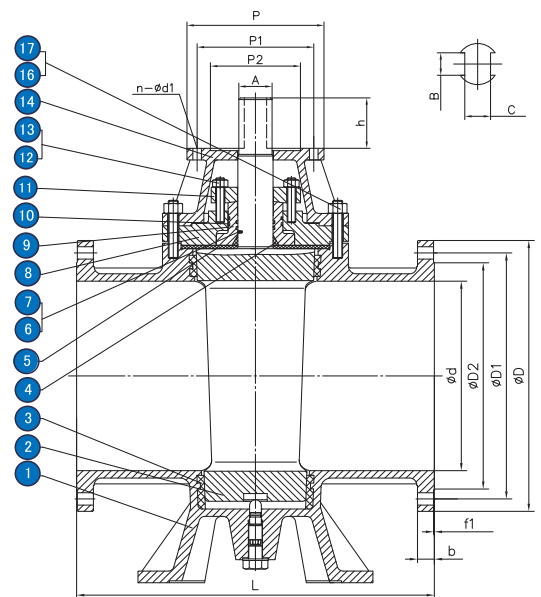
- Basic design and manufacture to API 599
- Face to face acc. to EN 558
- Flange end dimension to EN 1092-1
- Pressure Test to EN 12266-1
- Conformity to Directive 2014/68/EU

» Also available

- Inverted Lubricated Plug Valve
- Jacketed Sleeved Plug Valve

» Temperature Range

-10°C to 180°C (-14°F to 350°F)



Material List

No.	PARTS NAME	MATERIALS
1	Body	1.0619/1.4308/1.4408
2	Plug	1.4308/1.4408
3	Liner	PTFE
4	Wedge Gasket	PTFE
5	Gasket	PTFE
6	Small ball	S.S
7	Small spring	S.S
8	Bonnet	1.0619/1.4308/1.4408
9	Gland	A182 F6A/F304/F316
10	O-Ring	Viton
11	Gland Flange	1.0619/1.4308/1.4408
12	Gland Bolt	A193 B7/B8
13	Gland Nut	A194 2H/8
14	Yoke	Carbon Steel
15	Gear Operator	Carbon Steel
16	Bonnet Bolt	A193 B7/B8
17	Bonnet Nut	A194 2H/8

Dimensions (mm)

Size		Bare Stem										Main Dimensions						
IN	DN	h	A	B	C	P	P1	P2	n-Ød1	ISO	Torque N.m	d	D	D1	D2	L	b	n-Ød
20"	500	130	85	22	67	350	298	230	8-Ø22	F30	10800	489	715	650	610	700	44.4	20-Ø30
24"	600	130	100	28	80	350	298	230	8-Ø22	F30	16000	591	840	770	725	800	54.5	20-Ø36

Note: Torque calculated at maximum pressure differential, safety factor is not included.

PLUG VALVE

Sleeved Plug Valve
PN40, DN15~DN100

MODEL: KPD-PVF

» Features

- Bi-directional bubble-tight seal independent of line pressure.
- Self-lubricating with little to no maintenance.
- PTFE sleeve retained by special 360° metal lip around the ports.
- Free of cavity to entrap flow media.
- In-line seal adjustable independent of shaft seal, even when mounted with actuator.
- Suitable for use in petrochemical, chemical, mining industries.
- Manual operation as standard, with ISO 5211 bracket for actuator mounting.
- Available in flanged, butt-welding, and socket-welding connections.
- Size range from DN 15~DN600.

» Standards

- Basic design and manufacture to API 599
- Face to face acc. to EN 558
- Flange end dimension to EN 1092-1
- Pressure Test to EN 12266-1
- Conformity to Directive 2014/68/EU

» Also available

- Inverted Lubricated Plug Valve
- Jacketed Sleeved Plug Valve

» Temperature Range

- 10°C to 180°C (-14°F to 350°F)

Material List

No.	PARTS NAME	MATERIALS
1	Body	1.0619/1.4308/1.4408
2	Plug	1.4308/1.4408
3	Liner	PTFE
4	Wedge Gasket	PTFE
5	Gasket	PTFE
6	Bonnet	1.0619/1.4308/1.4408
7	Gland	A182 F6A/F304/F316
8	O-Ring	Viton
9	Small ball	S.S
10	Small spring	S.S
11	Gland Flange	1.0619/1.4308/1.4408
12	Gland bolt	A193 B7/B8
13	Gland Nut	A194 2H/8
14	Yoke	Carbon Steel
15	Bonnet bolt	A193 B7/B8
16	Bonnet Nut	A194 2H/8
17	Spring ring	Carbon Steel/C.S./S.S.
18	Lever/Gear	Carbon Steel

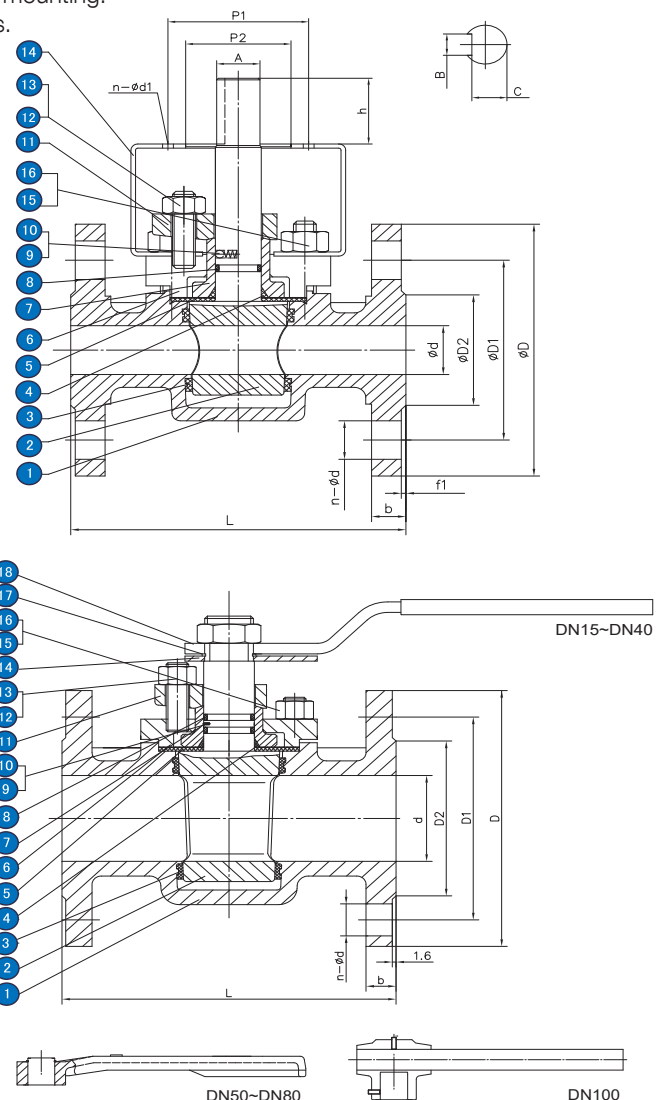
Dimensions (mm)

Size		Bare Stem							Main Dimensions								
IN	DN	h	A	B	C	P1	P2	n-Ød1	ISO	Torque N.m	d	D	D1	D2	L	b-f1	n-Ød
1/2"	15	30	12	4	9.5	50	35	4-Ø8	F05	34	13	95	65	45	130	16-2	4-Ø14
3/4"	20	30	12	4	9.5	50	35	4-Ø8	F05	38	19	105	75	58	150	18-2	4-Ø14
1"	25	30	14	5	11	50	35	4-Ø8	F05	57	25	115	85	68	160	18-2	4-Ø14
1 1/4"	32	35	21	6	17.5	70	55	4-Ø9	F07	76	32	140	100	78	180	18-2	4-Ø18
1 1/2"	40	35	21	6	17.5	70	55	4-Ø9	F07	86	38	150	110	88	200	18-3	4-Ø18
2"	50	35	26	8	22	70	55	4-Ø9	F07	114	51	165	125	102	230	20-3	4-Ø18
2 1/2"	65	35	26	8	22	70	55	4-Ø9	F07	143	51	185	145	122	290	22-3	8-Ø18
3"	80	45	32	10	27	102	70	4-Ø11	F10	209	76	200	160	138	310	24-3	8-Ø18
4"	100	55	35	10	30	125	85	4-Ø14	F12	428	102	235	190	162	350	24-3	8-Ø22

Note: Torque calculated at maximum pressure differential, safety factor is not included.

KLINGER Portugal, Ltd.

Tel +351 229 470 910 | www.klinger.pt | geral@klinger.pt



PLUG VALVE

Sleeved Plug Valve
PN40, DN125~DN400

MODEL: KPD-PVF

» Features

- Bi-directional bubble-tight seal independent of line pressure.
- Self-lubricating with little to no maintenance.
- PTFE sleeve retained by special 360° metal lip around the ports.
- Free of cavity to entrap flow media.
- In-line seal adjustable independent of shaft seal, even when mounted with actuator.
- Suitable for use in petrochemical, chemical, mining industries.
- Manual operation as standard, with ISO 5211 bracket for actuator mounting.
- Available in flanged, butt-welding, and socket-welding connections.
- Size range from DN 15~DN600.

» Standards

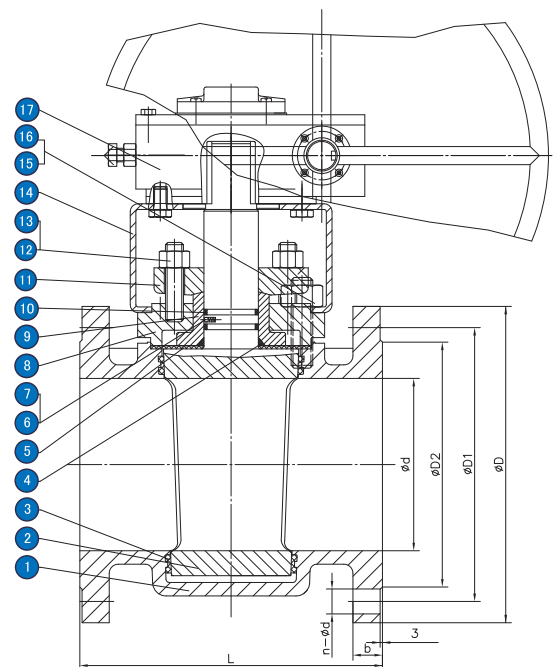
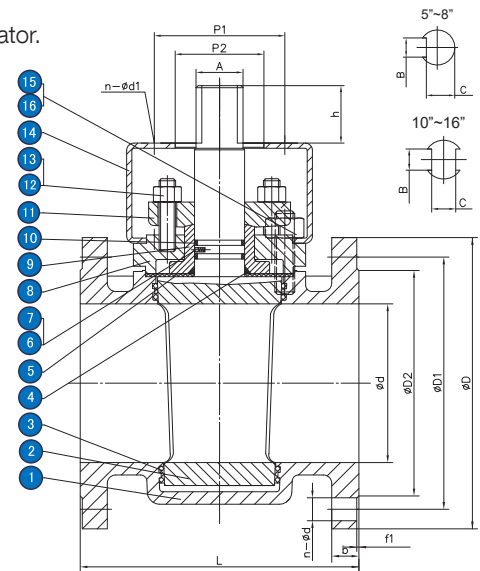
- Basic design and manufacture to API 599
- Face to face acc. to EN 558
- Flange end dimension to EN 1092-1
- Pressure Test to EN 12266-1
- Conformity to Directive 2014/68/EU

» Also available

- Inverted Lubricated Plug Valve
- Jacketed Sleeved Plug Valve

» Temperature Range

-10°C to 180°C (-14°F to 350°F)



Material List

No.	PARTS NAME	MATERIALS
1	Body	1.0619/1.4308/1.4408
2	Plug	1.4308/1.4308/1.4408
3	Liner	PTFE
4	Wedge Gasket	PTFE
5	Gasket	PTFE
6	Small ball	S.S
7	Small spring	S.S
8	Bonnet	1.0619/1.4308/1.4408
9	Gland	A182 F6A/F304/F316
10	O-Ring	Viton
11	Gland Flange	1.0619/1.4308/1.4408
12	Gland bolt	A193 B7/B8/B8
13	Gland Nut	A194 2H/8/8
14	Yoke	Carbon Steel
15	Bonnet bolt	A193 B7/B8/B8
16	Bonnet Nut	A194 2H/8/8
17	Gear	Carbon Steel

Dimensions (mm)

Size		Bare Stem							Main Dimensions								
IN	DN	h	A	B	C	P1	P2	n-Ød1	ISO	Torque N.m	d	D	D1	D2	L	b-f1	n-Ød
5"	125	55	45	14	39.5	125	85	4-Ø14	F12	880	127	270	220	188	325	26-3	8-Ø26
6"	150	55	45	14	39.5	125	85	4-Ø14	F12	1140	152	300	250	218	350	28-3	8-Ø26
8"	200	65	50	14	44.5	140	100	4-Ø18	F14	1900	203	375	320	285	400	34-3	12-Ø30
10"	250	80	60	18	46	165	130	4-Ø22	F16	2850	254	405	385	345	450	38-3	12-Ø33
12"	300	110	65	18	51	254	200	8-Ø18	F25	5890	305	515	450	410	500	42-4	16-Ø33
14"	350	130	80	22	62	298	230	8-Ø22	F30	8075	337	580	510	465	550	46-4	16-Ø36
16"	400	130	90	25	72	298	230	8-Ø22	F30	10450	387	660	585	535	600	50-4	16-Ø39

Note: Torque calculated at maximum pressure differential, safety factor is not included.

PLUG VALVE

Sleeved Plug Valve
PN40, DN450

MODEL: KPD-PVF

» Features

- Bi-directional bubble-tight seal independent of line pressure.
- Self-lubricating with little to no maintenance.
- PTFE sleeve retained by special 360° metal lip around the ports.
- Free of cavity to entrap flow media.
- In-line seal adjustable independent of shaft seal, even when mounted with actuator.
- Suitable for use in petrochemical, chemical, mining industries.
- Manual operation as standard, with ISO 5211 bracket for actuator mounting.
- Available in flanged, butt-welding, and socket-welding connections.
- Size range from DN 15~DN600.

» Standards

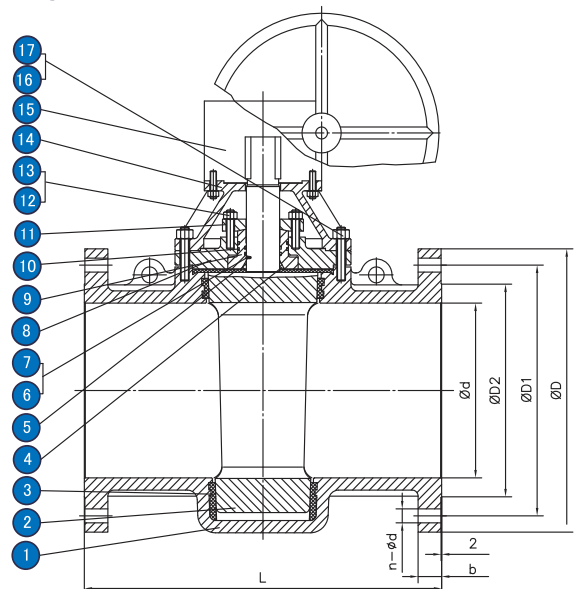
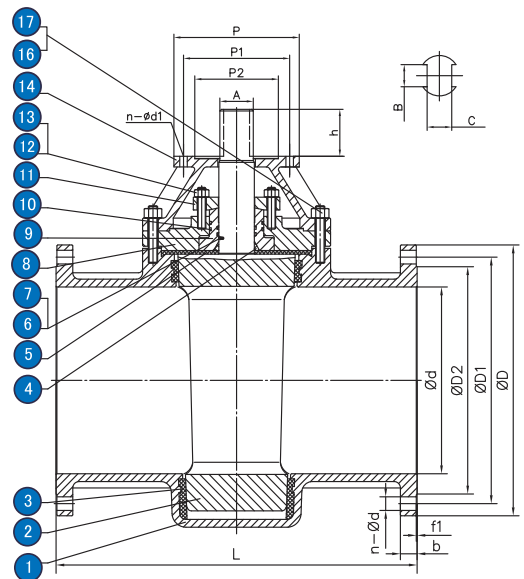
- Basic design and manufacture to API 599
- Face to face acc. to EN 558
- Flange end dimension to EN 1092-1
- Pressure Test to EN 12266-1
- Conformity to Directive 2014/68/EU

» Also available

- Inverted Lubricated Plug Valve
- Jacketed Sleeved Plug Valve

» Temperature Range

- 10°C to 180°C (-14°F to 350°F)



Material List

No.	PARTS NAME	MATERIALS
1	Body	1.0619/1.4308/1.4408
2	Plug	1.4308/1.4408
3	Liner	PTFE
4	Wedge Gasket	PTFE
5	Gasket	PTFE
6	Small ball	S.S
7	Small spring	S.S
8	Bonnet	1.0619/1.4308/1.4408
9	Gland	A182 F6A/F304/F316
10	O-Ring	Viton
11	Gland Flange	1.0619/1.4308/1.4408
12	Gland Bolt	A193 B7/B8
13	Gland Nut	A194 2H/8
14	Yoke	Carbon Steel
15	Gear Operator	Carbon Steel
16	Bonnet Bolt	A193 B7/B8
17	Bonnet Nut	A194 2H/8

Dimensions (mm)

Size		Bare Stem										Main Dimensions						
IN	DN	h	A	B	C	P	P1	P2	n-Ød1	ISO	Torque N.m	d	D	D1	D2	L	b-f1	n-Ød
18"	450	130	100	28	80	350	298	230	8-Ø22	F30	16910	438	685	610	560	650	57-4	20-Ø39

Note: Torque calculated at maximum pressure differential, safety factor is not included.

PLUG VALVE

Sleeved Plug Valve
PN40, DN500~DN600

MODEL: KPD-PVF

» Features

- Bi-directional bubble-tight seal independent of line pressure.
- Self-lubricating with little to no maintenance.
- PTFE sleeve retained by special 360° metal lip around the ports.
- Free of cavity to entrap flow media.
- In-line seal adjustable independent of shaft seal, even when mounted with actuator.
- Suitable for use in petrochemical, chemical, mining industries.
- Manual operation as standard, with ISO 5211 bracket for actuator mounting.
- Available in flanged, butt-welding, and socket-welding connections.
- Size range from DN 15~DN600.

» Standards

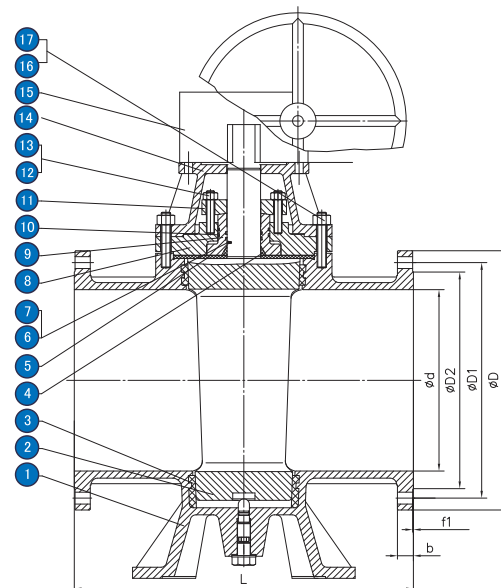
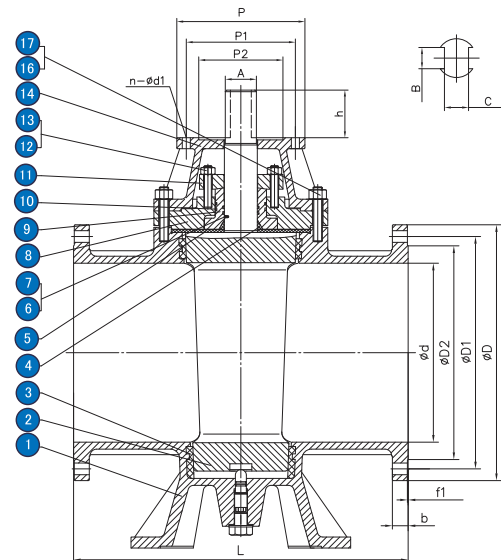
- Basic design and manufacture to API 599
- Face to face acc. to EN 558
- Flange end dimension to EN 1092-1
- Pressure Test to EN 12266-1
- Conformity to Directive 2014/68/EU

» Also available

- Inverted Lubricated Plug Valve
- Jacketed Sleeved Plug Valve

» Temperature Range

- 10°C to 180°C (-14°F to 350°F)



Material List

No.	PARTS NAME	MATERIALS
1	Body	1.0619/1.4308/1.4408
2	Plug	1.4308/1.4408
3	Liner	PTFE
4	Wedge Gasket	PTFE
5	Gasket	PTFE
6	Small ball	S.S
7	Small spring	S.S
8	Bonnet	1.0619/1.4308/1.4408
9	Gland	A182 F6A/F304/F316
10	O-Ring	Viton
11	Gland Flange	1.0619/1.4308/1.4408
12	Gland Bolt	A193 B7/B8
13	Gland Nut	A194 2H/8
14	Yoke	Carbon Steel
15	Gear Operator	Carbon Steel
16	Bonnet Bolt	A193 B7/B8
17	Bonnet Nut	A194 2H/8

Dimensions (mm)

Size		Bare Stem										Main Dimensions						
IN	DN	h	A	B	C	P	P1	P2	n-Ød1	ISO	Torque N.m	d	D	D1	D2	L	b	n-Ød
20"	500	180	110	28	90	415	356	260	8-Ø33	F35	21000	489	755	670	615	700	57-4	20-Ø42
24"	600	180	130	32	108	415	356	260	8-Ø33	F35	30000	591	890	795	735	800	72-5	20-Ø48

Note: Torque calculated at maximum pressure differential, safety factor is not included.