

# ON/OFF valves

## Series VPOO

Valve 2 way



### Technical data

Size (DN)	DN 15 — 100
Pressure rating	PN16, PN40
Connections	Flanges UNI/DIN PN16, PN40
Type sealing	Soft (Class VI) Metallic (Class IV - V)
Characteristic	Equalpercentage (eqp%)
Action	Pneumatic with piston (supply max 8 bar)
Temperature	from -20 to +205°C

### Description

The ON/OFF valves serie VPOO have two way globe body with screwed single seat and lower bottom for inspection. The plug is guided in its upper part. They are particularly indicated for service on/off in medium/light plants. All Burocco valves are delivered as tested units and ready for a long lasting, maintenance free operation. All Burocco valves are delivered after testing and calibration and ready for a long utilize, without maintenance.

### Options

- ⇒ Characteristic on/off
- ⇒ Metallic seal
- ⇒ Seals actuator FPM
- ⇒ Flanges can be drilled to ANSI 150 but with face to face and rating according to DIN
- ⇒ Full stainless steel actuator for corrosive environment
- ⇒ 3-way (diverting) valves (see brochure VPOO/3)
- ⇒ Stroke limiter
- ⇒ Handwheel for emergency operation
- ⇒ Valve positioners
- ⇒ Limit switches
- ⇒ Position feedback
- ⇒ Airset



### Flow rate coefficient (CV)

DN	CV	KVs
15	4	3,5
20	7	6
25	12	10
32	18	15,5
40	28	24
50	48	41
65	72	61,5
80	105	90
100	160	136

# ON/OFF valves

## Series VPOO

Valve 2 way

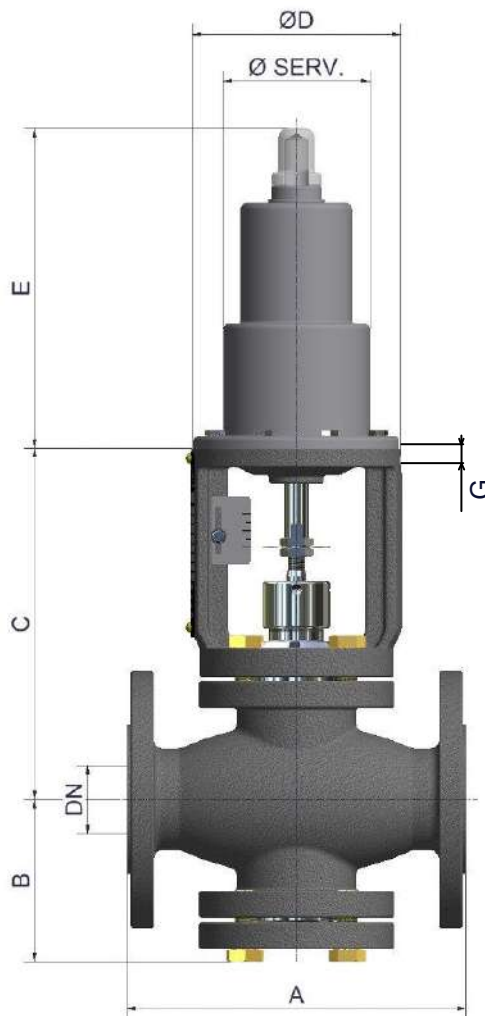


KLINGER Portugal, Lda. – Via José Régio, 36 | 4485-860 | Vila do Conde

geral@klinger.pt | www.klinger.pt

T: +351 229 470 910

Materials	
Valve body	Nodular cast iron GGG 40 (PN16) Carbon steel ASTM A216WCB Stainless steel ASTM CF8M
Trim (plug - seat)	316L / 17-4PH / 316L+Stellite / Hastelloy / Monel
Stem	316L / Hastelloy / Monel
Packing	PTFE, PTFE+'OR' FPM, special
Body gasket	FASIT 400, SIL C4500, PTFE, special
Acuator	Stainless steel
Yoke	GGG 40 (epoxy varnish) Stainless steel



Type actuator with piston		
Ø SERV	D (mm)	G
S82	122	1/8" G
S118	165	1/4" G
S136	185	
S153	215	
S235	On request	

Dimensions (mm)					
DN	A	B	C	D	E
15	130	96	210	122	190
20	150	96	210	122	190
25	160	96	210 / 228	122 / 165	190 / 206
32	180	96	210 / 228	122 / 165	190 / 206
40	200	96	210 / 228	122 / 165	190 / 206
50	230	100	210 / 228	122 / 165	190 / 206
65	290	137	295	165 / 185	216 / 242
80	310	137	295	165 / 185	216 / 242
100	350	159	318 / 335	185 / 215	242 / 292

Indicative weight*									
DN	15	20	25	32	40	50	65	80	100
kg	13	14	15 / 18,5	18 / 21,5	19 / 22,5	29 / 32,5	48 / 52	56 / 60	68 / 72,5

\* without positioner, airset or other accessories