

ON/OFF Valves

Series VPOO/3 (S.2003)

Heavy Duty valve 3-way diverting

Technical data

Size (DN)	DN 15 — 150
Pressure rating	PN16, PN40 ANSI 300
Connections	Flanges UNI/DIN PN16, PN40 Flanges ANSI 300
Type sealing	Metallic (Class IV - V), soft (Class VI)
Characteristic	Linear
Action	Pneumatic with piston (supply max 8 bar)
Temperature	from -196 to +350 °C

Description

Series VPOO/3 "Heavy Duty" ON/OFF valves are linear, 3-way valves for industrial use. The Series VPOO/3 valve offers superior performance in nearly all types in liquid and gaseous services within a wide temperature range. Due to the modular body construction the valves can easily be upgraded to special applications. The Series VPOO/3 is the industry choice for a reliable and tough control valve. All Burocco valves are delivered after testing and calibration and ready for a long utilize, without maintenance.

Options

- ⇒ Soft seal
- ⇒ Seals actuator FPM
- ⇒ Special 3 way DIVERTING CORRECT (size DN40-150)
- ⇒ High temperature extension (finned bonnet)
- ⇒ Extension (- 60 / - 100 °C)
- ⇒ Cryogenic extension (- 196 °C)
- ⇒ Bellows seal (double wall PN16, triple wall PN40)
- ⇒ Flanges can be drilled to ANSI 150 but with face to face and rating according to DIN
- ⇒ Full stainless steel actuator and yoke for corrosive environment
- ⇒ Handwheel for emergency operation
- ⇒ Valve positioners
- ⇒ Limit switches
- ⇒ Position feedback
- ⇒ Airset



Flow rate coefficient (CV)

DN	CV	KVs
15	4	3,5
20	7	6
25	12	10
32	18	15,5
40	28	24
50	48	41
65	72	61,5
80	105	90
100	160	136
150	300	256

ON/OFF Valves
Series VPOO/3 (S.2003)
 Heavy Duty valve 3-way diverting



KLINGER Portugal, Lda. – Via José Régio, 36 | 4485-860 | Vila do Conde

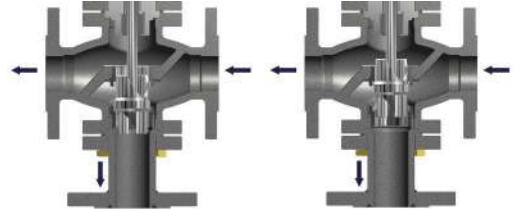
geral@klinger.pt | www.klinger.pt

Tel.: +39 02 9333331

Materials	
Valve body *	Nodular cast iron GGG 40 (PN16) Carbon steel ASTM A216WCB Stainless steel ASTM CF8M
Trim (plug - seat)	316L / 17-4PH / 316L+Stellite / Hastelloy / Monel
Stem	316L / Hastelloy / Monel
Packing	PTFE, PTFE/CG, graphite, special
Body gasket	SIL C4500, NOVAPHIT, PTFE, special
Acuator	Stainless steel
Yoke	GGG 40 (epoxy varnish) Stainless steel

Function overview

Diverting serie VPOO/3

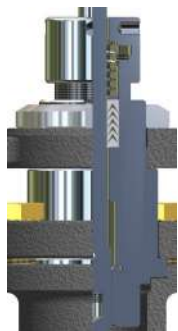


Normally open straight way

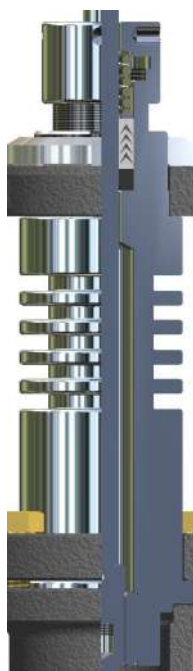
Normally open square way

* Special body material on request

Bonnet specifications (temperatures limit employment)



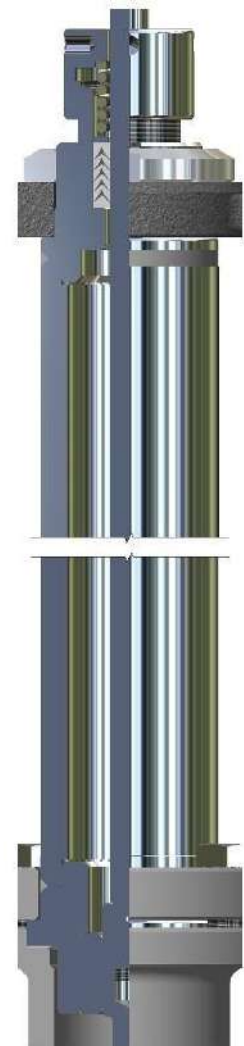
Standar (-30°C / +250 °C)



Finned (-30°C / +350 °C)



Bellows (-100°C / +350 °C)

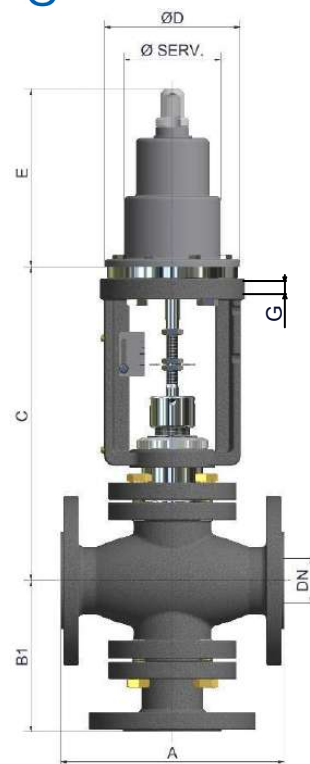


Criogenic (-196°C / +180 °C)

ON/OFF Valves
Series VPOO/3 (S.2003)
 Heavy Duty valve 3-way diverting



Dimensions (mm) and weight (kg) serie 2000 - UNI/DIN PN16/40 ANSI 150



Type actuator with piston		
Ø SERV	D (mm)	G
S82	122	1/8"G
S118	165	1/4"G
S136	185	
S153	215	
S235	On request	

Dimensions

DN	A	B1	C						D	E
			Standard	-60 °C (extension)	-100 °C (extension)	-200 °C (criogenic)	High.Temp. (finned)	Bellows		
15	130	156	314	376	451	746	400	420	122	190
20	150	156	314	376	451	746	400	420	122	190
25	160	156	314	376	451	746	400	420	122 / 165	190 / 206
32	180	156	314	376	451	746	400	420	122 / 165	190 / 206
40	200	156	314	376	451	746	400	420	122 / 165	190 / 206
50	230	166	314	376	451	746	400	420	122 / 165	190 / 206
65	290	220	341	403	478	773	426	447	165 / 185	216 / 242
80	310	220	341	403	478	773	426	447	165 / 185	216 / 242
100	350	240	361	423	498	793	446	467	185 / 215	242 / 292
150	480	350	On request	On request	On request	On request	On request	On request	On request	On request

Indicative weight*

DN	15	20	25	32	40	50	65	80	100	150
kg	16,5	19	20 / 23,5	24,5 / 28	25 / 28,5	34 / 37	55 / 59	59 / 63	79,5 / 84	On request

* without positioner, airset or other accessories

Extra weight with bonnet extension

DN	-60 / -100 °C	-200 °C	High Temp.	Bellows
15-50	+ 2	+ 3,5	+ 1	+ 1,5
65-100	+ 2	+ 4	+ 3	+ 2
150	+ 5	+ 15	+ 10	On request

ON/OFF Valves
Series VPOO/3 (S.2003)
 Heavy Duty valve 3-way diverting



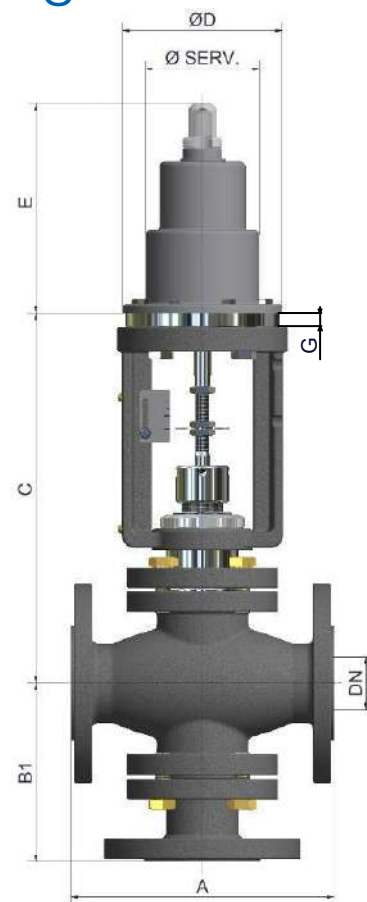
KLINGER Portugal, Lda. – Via José Régio, 36 | 4485-860 | Vila do Conde

geral@klinger.pt | www.klinger.pt

Tel.: +39 02 9333331

Dimensions (mm) and weight (kg) serie VPOO/3 - ANSI 300

Type actuator with piston		
Ø SERV	D (mm)	G
S82	122	1/8" G
S118	165	1/4" G
S136	185	
S153	215	
S235	On request	



Dimensions

DN	A	B1	C						D	E
			Standard	-60 °C (extension)	-100 °C (extension)	-200 °C (criogenic)	High.Temp. (finned)	Bellows		
25	197	156	314	376	451	746	400	420	122 / 165	190 / 206
40	235	156	314	376	451	746	400	420	122 / 165	190 / 206
50	267	166	314	376	451	746	400	420	122 / 165	190 / 206
80	318	220	341	403	478	773	426	447	165 / 185	216 / 242
100	368	240	361	423	498	793	446	467	185 / 215	242 / 292
150	473	350	On request	On request	On request	On request	On request	On request	On request	On request

Indicative weight*

DN	25	40	50	80	100	150
kg	20,5 / 24	27 / 30,5	36 / 39	61 / 65	83,5 / 88	On request

* without positioner, airset or other accessories

Extra weight with bonnet extension				
DN	-60 / -100 °C	-200 °C	High Temp.	Bellows
25-50	+ 2	+ 3,5	+ 1	+ 1,5
80-100	+ 2	+ 4	+ 3	+ 2
150	+ 5	+ 15	+ 10	On request