

## ON/OFF valves

### Series VPFA/3

General service valve 3 way diverting



#### Technical data

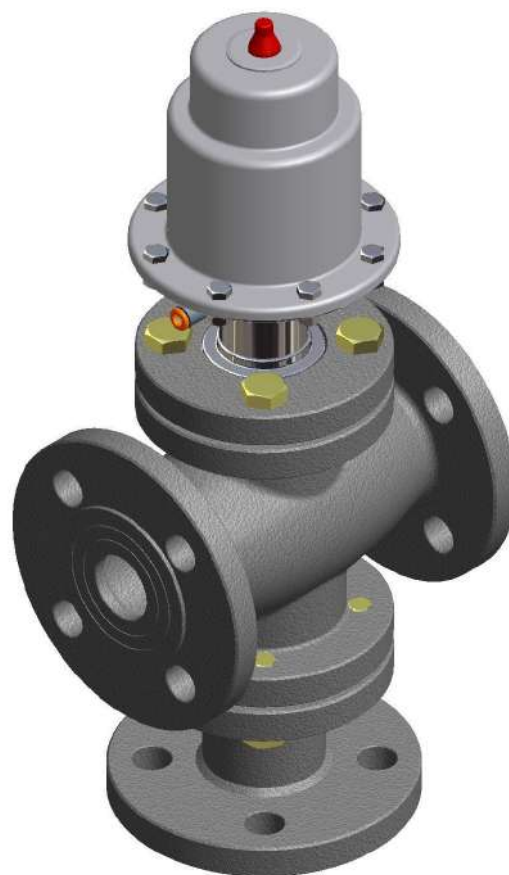
Size (DN)	DN 15 — 65
Pressure rating	PN16
Connections	Flanges UNI/DIN PN16
Type sealing	Soft (Class VI)
Characteristic	On/off
Action	Pneumatic with piston (supply max 8 bar)
Temperature	from -5 to +180 °C

#### Description

The Series VPFA/3 have three way globe body with screwed seats and function DIVERTING, is a general service valve with a body made from nodular cast iron. The Series VPFA/3 on/off valve is the best choice for a simple and reliable globe valve. Series VPFA/3 valves can be used for liquid and gasses up to 16 bar and steam up to max 8 bar. All Burocco valves are delivered after testing and calibration and ready for a long utilize, without maintenance.

#### Options

- ⇒ Plug sealing HPP PEEK
- ⇒ Airset



#### Flow rate coefficient (CV)

DN	CV	KVs
15	4	3,5
20	7	6
25	12	10
32	18	15,5
40	28	24
50	48	41
65	72	61,5

# ON/OFF valves

## Series VPFA/3

General service valve 3 way diverting

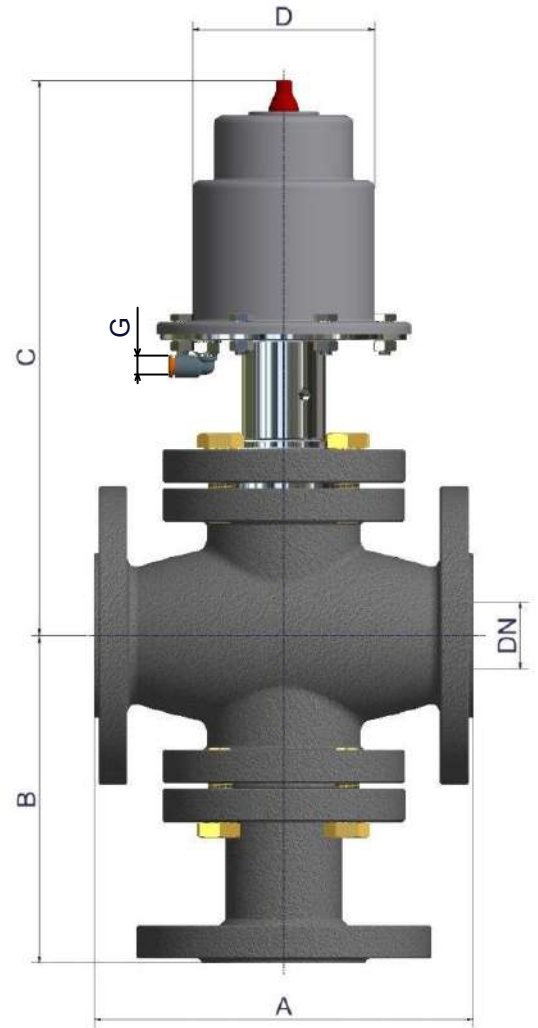


KLINGER Portugal, Lda. – Via José Régio, 36 | 4485-860 | Vila do Conde

geral@klinger.pt | www.klinger.pt

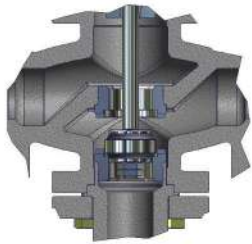
T: +351 229 470 910

Materials	
Valve body	Nodular cast iron GGG 40 (PN16)
Trim (plug - seat)	316L + PTFE-CG or PEEK plug insert
Stem	316L
Packing	PTFE + graphite
Body gasket	FASIT 400
Acuator	Stainless steel

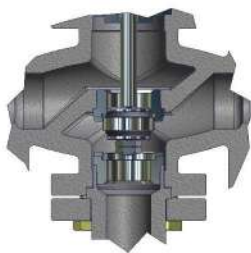


### Function overview

#### Diverting



Normally open straight way



Normally open square way

### Standard dimensions (mm)

DN	A	B	C	Ø D	Serv.	G
15	130	156	250	66	S63/R	1/8" G
20	150	156	250	66	S63/R	
25	160	156	250	66	S63/R	
32	180	156	265	88	S82/R	
40	200	156	265	88	S82/R	
50	230	166	315	88	S82	1/4" G
65	290	220	360	122	S118	

### Standard weight\*

DN	15	20	25	32	40	50	65
kg	9,5	11,5	12,5	16,5	17	On request	On request

\* without airset or other accessories