

ON-OFF free flow valves

Series VPFL/FF - SW



KLINGER Portugal, Lda. – Via José Régio, 36 | 4485-860 | Vila do Conde

geral@klinger.pt | www.klinger.pt

T: +351 229 470 910

Technical data

Size (DN)	DN 15 - 50
Rating	PN 25
Connections	Female threaded GAS (FF) - ISO 228 Socket weld (SW)
Plug characteristic	Disc
Actuator	Pneumatic with piston
Supply	min 4 / max 8 bar
Temperature	from -30 to +150 °C

Description

Pneumatic valve angle seat with high coefficient of flow, solid construction and compact. Versatility due to the construction of stainless steel for use in harsh environments. They can be employed in several sector as: textile dyeing and finishing plants, chemical plants, water-treating, alimentary, general industrial plants. All Burocco valves are delivered after testing and calibration and ready for a long utilize, without maintenance.

Options

- ⇒ Normally open (NO)
- ⇒ Double effect (DE)
- ⇒ Seals FPM (for steam max 180 °C)
- ⇒ Handwheel for emergency operation
- ⇒ Rate shutter
- ⇒ Mechanical limit switch / proximity / microswitches box
- ⇒ Solenoid
- ⇒ Electropneumatic converter signal 4-20 mA
o 0-10 VDC (control plug)
- ⇒ Special executions on request

DN	C _v	K _{vs}
15 - 1/2"	5	4,3
20 - 3/4"	9	7,7
25 - 1"	14	12
32 - 1"1/4	22	18,8
40 - 1"1/2	34	29
50 - 2"	53	45,3



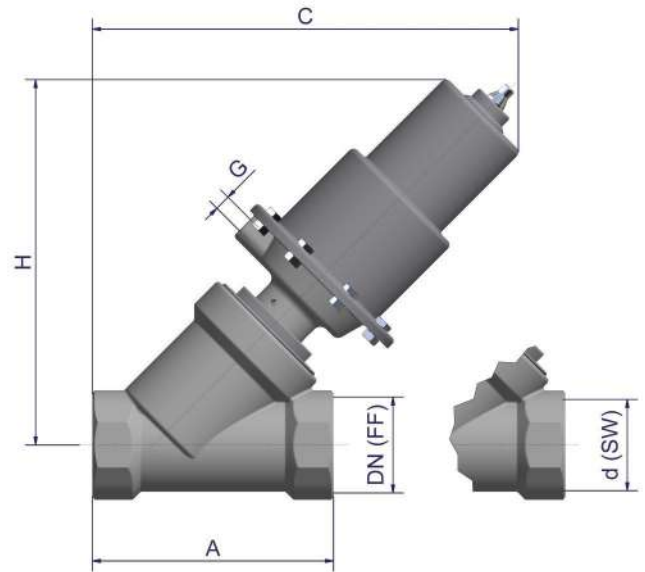
ON-OFF free flow valves

Series VPFL/FF - SW



KLINGER Portugal, Lda. – Via José Régio, 36 | 4485-860 | Vila do Conde

Materials	
Valve body	AISI 316/316L
Insert plug	PTFE (STD) - PTFE/CG - SILICON
Stem / Plug	AISI 316/316L
Packing	Standard PTFE ring energized with O-ring FPM
Body gasket	PTFE (STD) - CARBOFIBER - ARMED GRAPHITE
Seal actuator	FPM - NBR



geral@klinger.pt | www.klinger.pt

T: +351 229 470 910

Dimensions (mm)						
DN - servoc.	A	C	H	d (SW)	G	weight (Kg) *
15 (1/2") - S.63	65	195	175	21,5	1/8" G	2,3
20 (3/4") - S.63	75	200	175	27,0	1/8" G	2,5
20 (3/4") - S.82	75	225	205	27,0	1/8" G	3,2
25 (1") - S.63	90	195	190	33,8	1/8" G	3,0
25 (1") - S.82	90	220	215	33,8	1/8" G	3,5
32 (1 1/4") - S.63	110	210	180	42,7	1/8" G	3,5
32 (1 1/4") - S.82	110	235	210	42,7	1/8" G	4,5
40 (1 1/2") - S.82	120	250	220	48,8	1/8" G	5,2
40 (1 1/2") - S.118	120	310	280	48,8	1/8" G	8,6
50 (2") - S.82	150	270	230	60,8	1/8" G	6,0
50 (2") - S.118	150	330	290	60,8	1/8" G	9,0

* Actuator without accessories.