

ON-OFF free flow valves

Series NPFL - FL UNI PN 10/16



KLINGER Portugal, Lda. – Via José Régio, 36 | 4485-860 | Vila do Conde

geral@klinger.pt | www.klinger.pt

T: +351 229 470 910

Technical data

Size (DN)	DN 15 - 100
Rating	PN 16
Connections	FLANGES DRILLING PN 16 (15-32) FLANGES UNI PN 10/16 (40-100)
Plug characteristic	Disc
Actuator	Pneumatic with piston
Supply	min 4 / max 8 bar
Temperature	from -30 to +200 °C

Description

Pneumatic valve angle seat with high coefficient of flow, solid construction and compact. Versatility due to the construction of stainless steel for use in harsh environments. They can be employed in several sector as: textile dyeing and finishing plants, chemical plants, water-treating, alimentary, general industrial plants. All Burocco valves are delivered after testing and calibration and ready for a long utilize, without maintenance.

Options

- ⇒ Normally open (NO)
- ⇒ Double effect (DE)
- ⇒ Mechanical limit switch / proximity / microswitches box
- ⇒ Solenoid
- ⇒ Electropneumatic converter signal 4-20 mA
 - o 0-10 VDC (control plug)
- ⇒ Special flanges on request (face to face UNI)



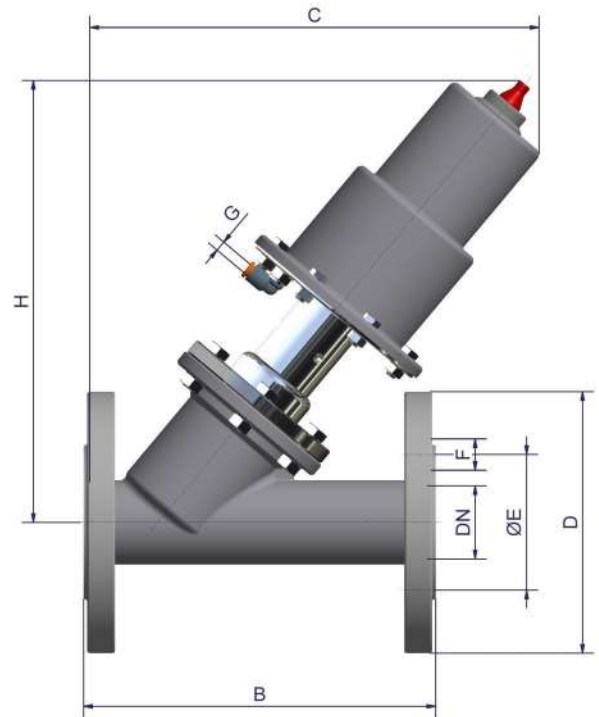
DN	C _v	K _{vs}
15	5	4,3
20	9	7,7
25	14	12
32	22	18,8
40	34	29
50	53	45,3
65	91	77,8
80	138	118
100	217	185,5

ON-OFF free flow valves Series NPFL - FL UNI PN 10/16



KLINGER Portugal, Lda. – Via José Régio, 36 | 4485-860 | Vila do Conde

Materials	
Valve body	AISI 316/316L
Flanges	AISI 304/304L (STD) AISI 316/316L
Insert plug	PTFE/CG
Stem / Plug	AISI 316/316L
Packing	Packing box PTFE + graphite ring
Body gasket	ARMED GRAPHITE
Seal actuator	FPM



Dimensions (mm)									
DN - servoc.	B	C	D	E	H	F	n° drills	G	weight (Kg) *
15 - S.63	130	210	95	65	215	14	4	1/8" G	3,9
20 - S.63	150	215	105	75	215	14	4	1/8" G	4,3
20 - S.82	150	240	105	75	240	14	4	1/8" G	5,4
25 - S.63	160	215	115	85	215	14	4	1/8" G	5,0
25 - S.82	160	240	115	85	240	14	4	1/8" G	6,1
32 - S.63	180	On request	140	100	On request	18	4	1/8" G	On request
32 - S.82	180	On request	140	100	On request	18	4	1/8" G	On request
40 - S.82	200	265	150	110	260	18	4	1/8" G	9,4
40 - S.118	200	295	150	110	290	18	4	1/8" G	12,0
50 - S.82	230	275	165	125	270	18	4	1/8" G	11,2
50 - S.118	230	305	165	125	300	18	4	1/8" G	13,8
65 - S.118	290	345	185	145	310	18	4	1/8" G	17,2
65 - S.136	290	On request	185	145	On request	18	4	1/4" G	On request
80 - S.136	310	On request	200	160	On request	18	8	1/4" G	On request
80 - S.153	310	On request	200	160	On request	18	8	1/4" G	On request
100 - S.136	350	On request	220	180	On request	18	8	1/4" G	On request
100 - S.153	350	On request	220	180	On request	18	8	1/4" G	On request

* Actuator without accessories.

geral@klinger.pt | www.klinger.pt

T: +351 229 470 910