

# ON-OFF free flow valves

## Series NPFL/BW



KLINGER Portugal, Lda. – Via José Régio, 36 | 4485-860 | Vila do Conde

geral@klinger.pt | www.klinger.pt

T: +351 229 470 910

### Technical data

|                     |                       |
|---------------------|-----------------------|
| Size (DN)           | DN 15 - 100           |
| Rating              | PN 16                 |
| Connections         | Butt Weld (BW)        |
| Plug characteristic | Disc                  |
| Actuator            | Pneumatic with piston |
| Supply              | min 4 / max 8 bar     |
| Temperature         | from -30 to +200 °C   |

### Description

Pneumatic valve angle seat with high coefficient of flow, solid construction and compact. Versatility due to the construction of stainless steel for use in harsh environments. They can be employed in several sector as: textile dyeing and finishing plants, chemical plants, water-treating, alimentary, general industrial plants. All Burocco valves are delivered after testing and calibration and ready for a long utilize, without maintenance.

### Options

- ⇒ Normally open ( NO )
- ⇒ Double effect ( DE )
- ⇒ Mechanical limit switch / proximity / microswitches box
- ⇒ Solenoid
- ⇒ Electropneumatic converter signal 4-20 mA  
o 0-10 VDC ( control plug )

| DN  | C <sub>v</sub> | K <sub>vs</sub> |
|-----|----------------|-----------------|
| 15  | 5              | 4,3             |
| 20  | 9              | 7,7             |
| 25  | 14             | 12              |
| 32  | 22             | 18,8            |
| 40  | 34             | 29              |
| 50  | 53             | 45,3            |
| 65  | 91             | 77,8            |
| 80  | 138            | 118             |
| 100 | 217            | 185,5           |

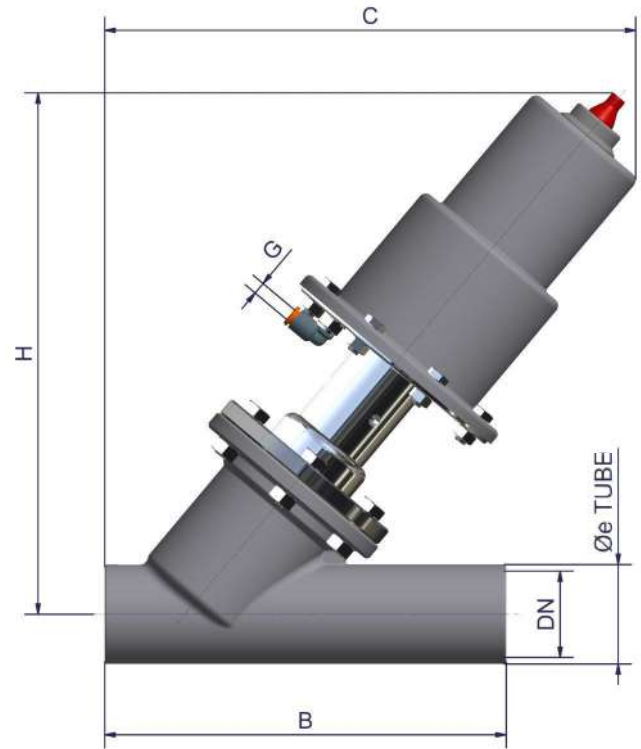


# ON-OFF free flow valves Series NPFL/BW



KLINGER Portugal, Lda. – Via José Régio, 36 | 4485-860 | Vila do Conde

| Materials     |                                  |
|---------------|----------------------------------|
| Valve body    | AISI 316/316L                    |
| Insert plug   | PTFE/CG                          |
| Stem / Plug   | AISI 316/316L                    |
| Packing       | Packing box PTFE + graphite ring |
| Body gasket   | ARMED GRAPHITE                   |
| Seal actuator | FPM                              |



| Dimensions (mm) |     |            |            |         |        |               |
|-----------------|-----|------------|------------|---------|--------|---------------|
| DN - servoc.    | B   | C          | H          | Øe TUBE | G      | weight (Kg) * |
| 15 - S.63       | 126 | 207        | 215        | 21,3    | 1/8" G | 2,7           |
| 20 - S.63       | 146 | 212        | 215        | 26,9    | 1/8" G | 2,8           |
| 20 - S.82       | 146 | 237        | 240        | 26,9    | 1/8" G | 3,9           |
| 25 - S.63       | 156 | 212        | 215        | 33,7    | 1/8" G | 3,2           |
| 25 - S.82       | 156 | 237        | 240        | 33,7    | 1/8" G | 4,3           |
| 32 - S.63       | 176 | On request | On request | 42,4    | 1/8" G | On request    |
| 32 - S.82       | 176 | On request | On request | 42,4    | 1/8" G | On request    |
| 40 - S.82       | 196 | 262        | 260        | 48,3    | 1/8" G | 5,5           |
| 40 - S.118      | 196 | 292        | 290        | 48,3    | 1/8" G | 8,1           |
| 50 - S.82       | 226 | 272        | 270        | 60,3    | 1/8" G | 6,6           |
| 50 - S.118      | 226 | 302        | 300        | 60,3    | 1/8" G | 9,2           |
| 65 - S.118      | 286 | 342        | 310        | 76,1    | 1/8" G | 11,3          |
| 65 - S.136      | 286 | On request | On request | 76,1    | 1/4" G | On request    |
| 80 - S.136      | 306 | On request | On request | 88,9    | 1/4" G | On request    |
| 80 - S.153      | 306 | On request | On request | 88,9    | 1/4" G | On request    |
| 100 - S.136     | 345 | On request | On request | 114,3   | 1/4" G | On request    |
| 100 - S.153     | 345 | On request | On request | 114,3   | 1/4" G | On request    |

\* Actuator without accessories.

geral@klinger.pt | www.klinger.pt

T: +351 229 470 910