

MB-IB Def. Series

Microbore In-Line Deflagration Arresters



Protecting People, Property and our Planet.

Application

The Elmac Technologies® MB-IB series of microbore flame arresters is specially designed for the protection of gas sampling and analysis equipment where flammable vapours are present. Many other applications involving small bore pipework can be protected from explosion risk using microbore arresters.



Principle of Operation

In the event of explosion, the combustion products are cooled at the element surface by heat dissipation, preventing continuation of the combustion process through the flame arrester and into the protected line. Accordingly, the flame cannot pass through the flame arrester, and is subsequently contained or extinguished.

Explosion Gas Groups

Elmac inline deflagration arresters in the MB-IB series are for use with gases in Explosion Groups I, IIA, IIB1, IIB2 and IIB3.

Standards Compliance

Elmac Technologies® Flame Arresters have been type-tested to EN ISO 16852 and certified according to ATEX Directive 2014/34/EU. Actual device performance is verified in the Elmac Technologies® state-of-the-art in-house test facility.



Elmac Expertise

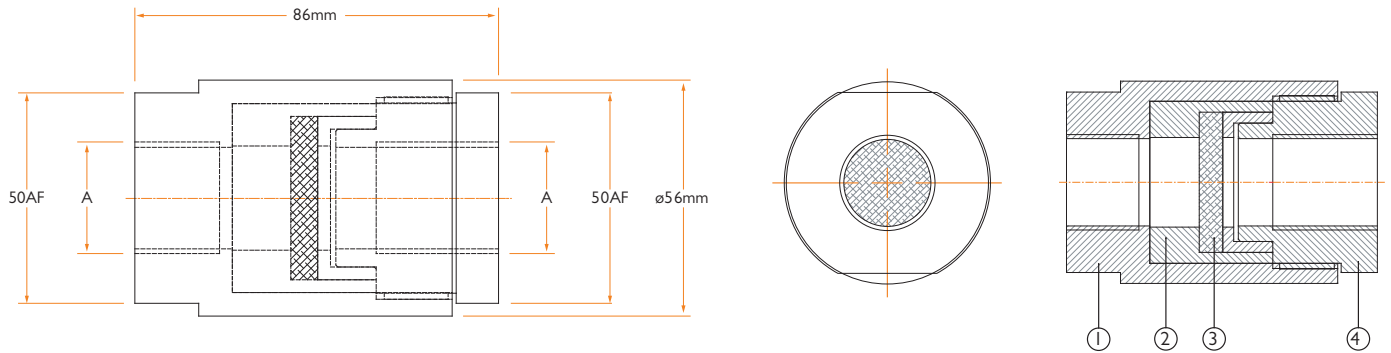
Elmac Technologies® has been manufacturing protection equipment since 1948 and brings enhanced levels of flame and explosion protection to a diverse range of applications.

Elmac offers considerable technical leadership and, using test facilities along with Computational Fluid Dynamics (CFD) capabilities, employs research teams renowned for developing solutions for the most challenging of industrial applications.

Features and Benefits

- Available in 15mm and 20mm nominal bore
- Suitable for gases with MESH ≥ 0.65 mm (Explosion group IIB3)
- Available in carbon steel or stainless steel
- The Elmac technical team can advise on specific location queries

Drawings



Model Specifications

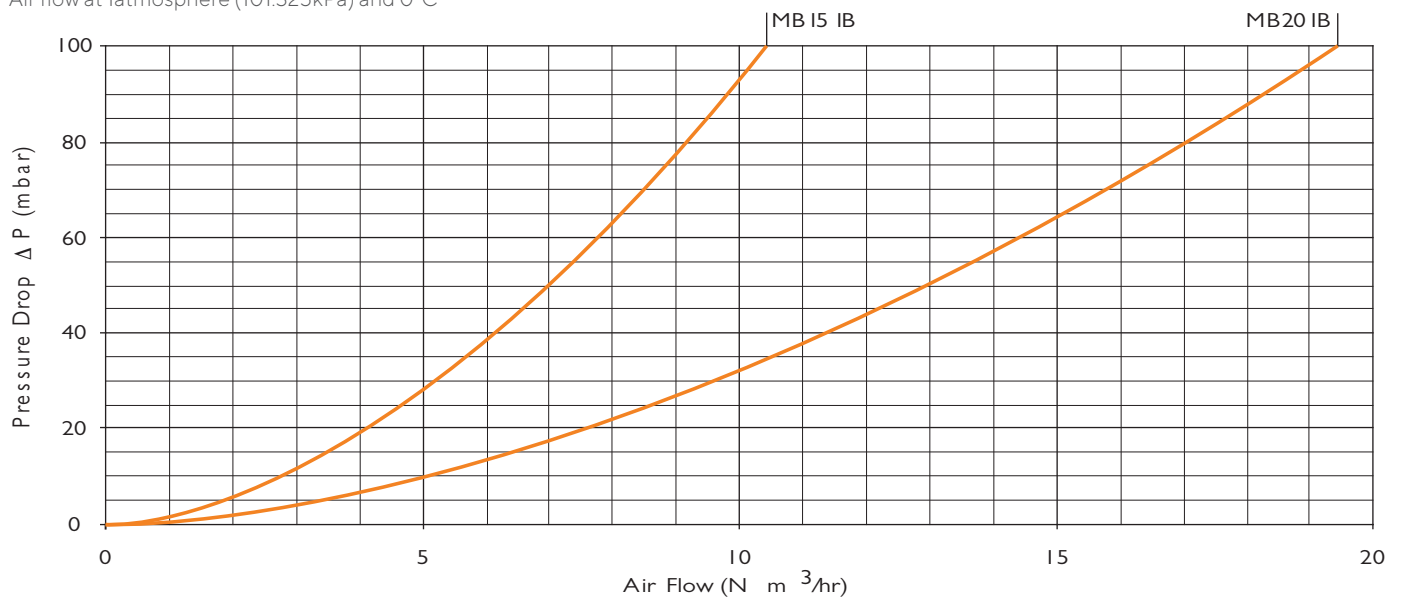
NB (mm)	Carbon Steel	Stainless Steel	Screw Connection 'A'
15	MB 15 IBF	MB 15 IBFS	½" BSP female
15	MB 15 IBFN	MB 15 IBFNS	½" NPT female
20	MB 20 IBF	MB 20 IBFS	¾" BSP female
20	MB 20 IBFN	MB 20 IBFNS	¾" NPT female

Materials Specifications

Ref	Description	Stainless Steel	
1	Body	Mild Steel	Stainless Steel
2	Element Body	Mild Steel	Stainless Steel
3	Element Core	316L Stainless Steel	316L Stainless Steel
4	End Connection	Mild Steel	Stainless Steel

MB-IB Flow Curves

Air flow at 1atmosphere (101.325kPa) and 0°C



Customer Support

Tel: +44 (0) 1352 717 555

Email: sales@elmactech.com

Fax: +44 (0) 1352 717 642

Coast Road, Greenfield, Flintshire, CH8 9DP United Kingdom



All specifications are correct at time of print, are for guidance purposes only and subject to change without prior notice.