

# SWING CHECK VALVE ACID-PROOF TYPE KKA100 ; KKB100

## CHARACTERISTIC:

- Diameter - 50 -300 mm;
- Pressure - 100 bar;
- Temperature - up to 600°C;
- Medium - water, steam and other non-toxic, non aggressive media.

## VERSIONS:

type / body material / others

Example: KKA100 /--- / ---

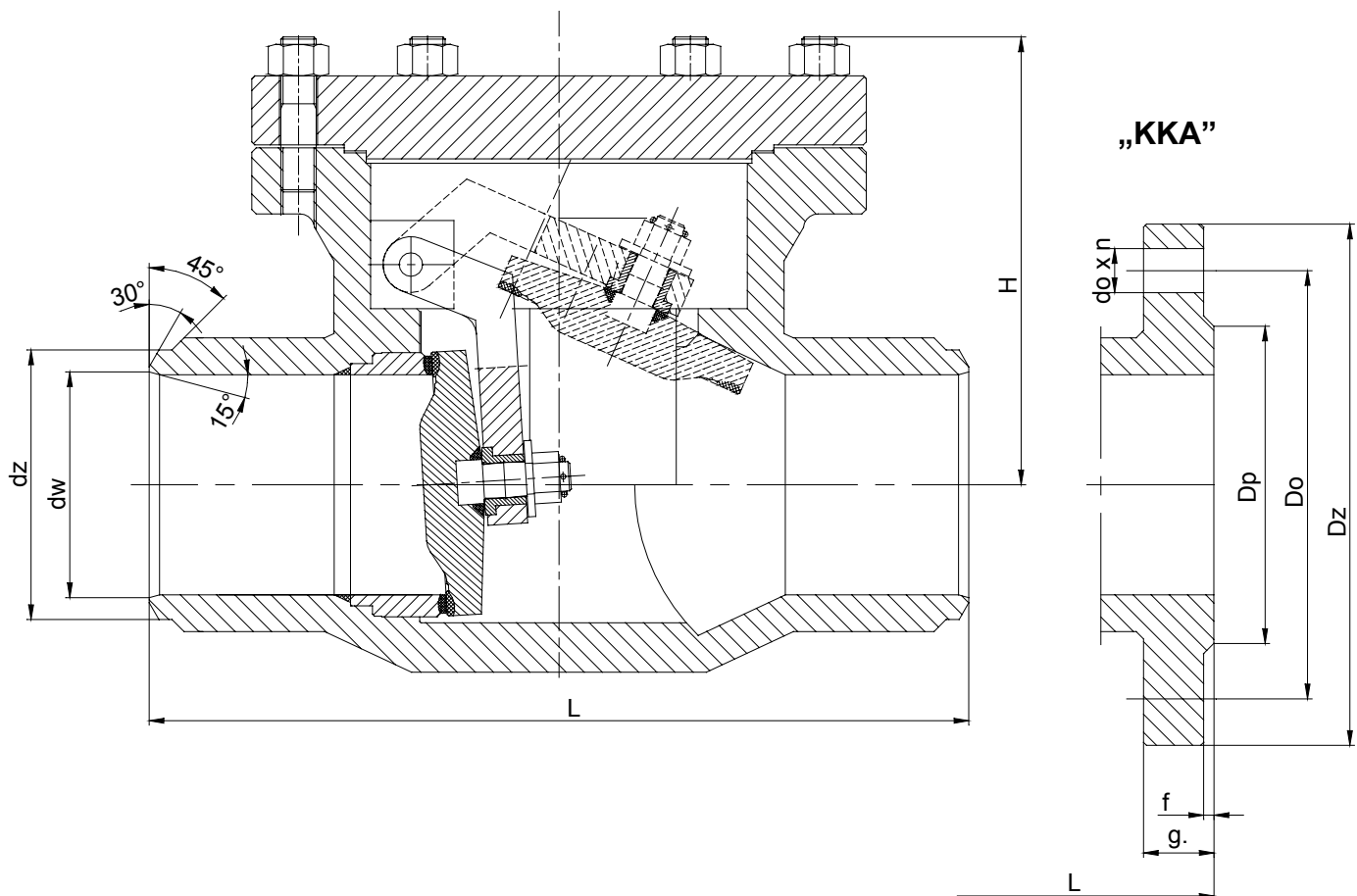
Example: KKB100 /--- / ---

Body material	Sign
X6CrNiTi18-10	KKA
X2CrNiMo17-12-2	KKB

Others	Sign

## APPLICATIONS:

The swing check valves are designed to keep pipeline safe from returning the medium. Swing check valve can be mounted to a pipe-line in horizontal position. The direction of flow should only comply with the arrow marked on the body.



## MATERIALS:

Versions	KKA100	KKB100
Parts		
Body, Bonnet	X6CrNiTi18-10 (1.4541)	X2CrNiMo17-12-2 (1.4404)
Disc	X6CrNiTi18-10 (1.4541)	X2CrNiMo17-12-2 (1.4404)
Seat ring	X6CrNiTi18-10 (1.4541)	X2CrNiMo17-12-2 (1.4404)
Gasket	PTFE , Grafit + stal austenityczna	
Wheel	-	

Special materials on request; modifications reserved.

## DIMENSIONS:

DN	dz	dw	L	H	Weight	„KKA”								
						Dz	Dp	Do	do	n	L	g.	f	Weight
50	62	54	250	170	13,2	195	102	145	26	4	300	28	3	20,7
65	77	69	290	190	18,7	220	122	170	26	8	340	30	3	28,8
80	91	81	310	205	24,2	230	138	180	26	8	380	32	3	36,8
100	117	104	350	220	36,3	265	162	210	30	8	430	36	3	51,8
125	144	127	400	254	55,0	315	188	250	33	8	500	40	3	78,2
150	172	154	450	305	88,0	355	218	290	33	12	550	44	3	115,0
200	223	199,5	550	406	115,5	430	285	360	36	12	650	52	3	176,0
250	278	248,5	650	508	220,0	505	345	430	39	12	775	60	3	285,2
300	-	-	-	-	---	585	410	500	42	16	900	68	4	384,5

Dimensions in mm; modifications reserved.

## TECHNICAL DATA:

Body material	Medium	PN	Maximal working pressure at working temperature															
			20°C	100°C	150°C	200°C	250°C	300°C	350°C	400°C	450°C	480°C	500°C	510°C	520°C	530°C	540°C	550°C
X6CrNiTi18-10 (1.4541)	aggressive media	100	100,0	99,0	93,3	88,5	84,2	-	-	-	-	-	-	-	-	-	-	-
X2CrNiMo17-12-2 (1.4404)		100	100,0	94,7	86,1	79,5	74,7	-	-	-	-	-	-	-	-	-	-	-
X6CrNiTi18-10 (1.4541)	non aggressive media	100	100,0	99,0	93,3	88,5	84,2	79,5	76,6	74,2	72,6	71,5	70,9	70,0	69,5	68,7	68,0	67,6
X2CrNiMo17-12-2 (1.4404)		100	100,0	94,7	86,1	79,5	74,7	69,0	66,1	64,2	62,6	61,7	60,9	60,9	60,9	60,6	60,6	60,6

## MOUNTING AND OPERATING:

*The valve can only be mounted and operated by skilled, properly trained and qualified personnel. Incorrect assembly or operation of the valve may have substantial impact on the entire system such as fluid leakage, reduction in system's function etc.*

Before a swing check valve is installed the pipeline must be clean from any mechanical impurities. The compatibility of critical parameters of flow must be checked with the parameters of valve. Swing check valve can be mounted to a pipe-line in horizontal position. The direction of the flow should only comply with the arrow marked on the body. The valve should be operated strictly with its assign. In order to provide valve's reliability the following suggestions must be observed:

- medium flowing through the valve is supposed to be clean out of any mechanical impurities;
- the valve must be protected from any mechanical damages during its work;
- nominal parameters marked on the valve must be observed.