

GLOBE VALVE

Cast Steel OS&Y to DIN
PN16, DN15-DN40

KAD-GBF PN16-F1

» Features

Cast steel body construction providing liberal strength to meet most conditions
Integral yoke & bonnet; Outside screw & yoke, bolted bonnet
Seal welded seat ring eliminates leak path behind rings and for long trouble-free service
Available in flanged end connection; butt weld end also available
EN10204-3.1 Material certificate available

» Body Material

DIN 17245 GS-C25

» Standards

Basic design to DIN 3356
Face-to-Face acc. to DIN 3202-F1
Flange Dimensions acc. to EN 1092-1
Inspection & test according to EN 12266-1

» Temperature Range

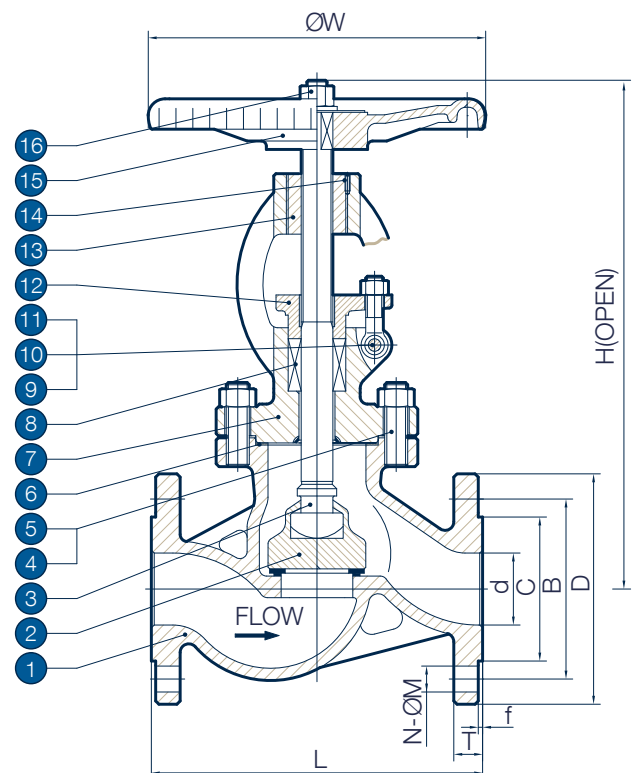
-20°C to 425°C (-4°F to 800°F)

» Note

For non-horizontal installation, please ensure to consult with us separately, as special request must be generated to ensure proper function.

Materials List:

| NO | PART NAME | MATERIAL |
|----|---------------|-------------------------|
| 1 | BODY | DIN 17245 GS-C25 + 13Cr |
| 2 | DISC | ASTM A182 F6a |
| 3 | STEM | ASTM A182 F6a |
| 4 | BONNET BOLT | ASTM A193 B7 |
| 5 | BONNET NUT | ASTM A194 2H |
| 6 | GASKET | SS304+FLEXIBLE GRAPHITE |
| 7 | BONNET | DIN 17245 GS-C25 |
| 8 | STEM PACKING | FLEXIBLE GRAPHITE |
| 9 | GLAND EYEBOLT | ASTM A193 B7 |
| 10 | GLAND NUT | ASTM A194 2H |
| 11 | PIN | AISI 1025 |
| 12 | GLAND FLANGE | DIN 17245 GS-C25 |
| 13 | STEM NUT | COPPER ALLOY |
| 14 | GRUP SCREW | CARBON STEEL |
| 15 | HANDWHEEL | DUCTILE IRON |
| 16 | LOCK NUT | ASTM A194 2H |



Dimensions (mm):

| SIZE | | d | D | B | C | W | L | H | T | f | N | M |
|------|-----|----|-----|-----|----|-----|-----|-----|----|---|---|----|
| DN | NPS | | | | | | | | | | | |
| 15 | ½" | 15 | 95 | 65 | 45 | 120 | 130 | 210 | 16 | 2 | 4 | 14 |
| 20 | ¾" | 20 | 105 | 75 | 58 | 120 | 150 | 230 | 18 | 2 | 4 | 14 |
| 25 | 1" | 25 | 115 | 85 | 68 | 140 | 160 | 250 | 18 | 2 | 4 | 14 |
| 32 | 1¼" | 32 | 140 | 100 | 78 | 160 | 180 | 275 | 18 | 2 | 4 | 18 |
| 40 | 1½" | 40 | 150 | 110 | 88 | 180 | 200 | 300 | 18 | 3 | 4 | 18 |

GLOBE VALVE

Cast Steel OS&Y to DIN
PN16, DN50-DN150

KAD-GBF PN16-F1

» Features

Cast steel body construction providing liberal strength to meet most conditions
Integral yoke & bonnet; Outside screw & yoke, bolted bonnet
Seal welded seat ring eliminates leak path behind rings and for long trouble-free service
Available in flanged end connection; butt weld end also available
EN10204-3.1 Material certificate available

» Body Material

DIN 17245 GS-C25

» Standards

Basic design to DIN 3356
Face-to-Face acc. to DIN 3202-F1
Flange Dimensions acc. to EN 1092-1
Inspection & test according to EN 12266-1

» Temperature Range

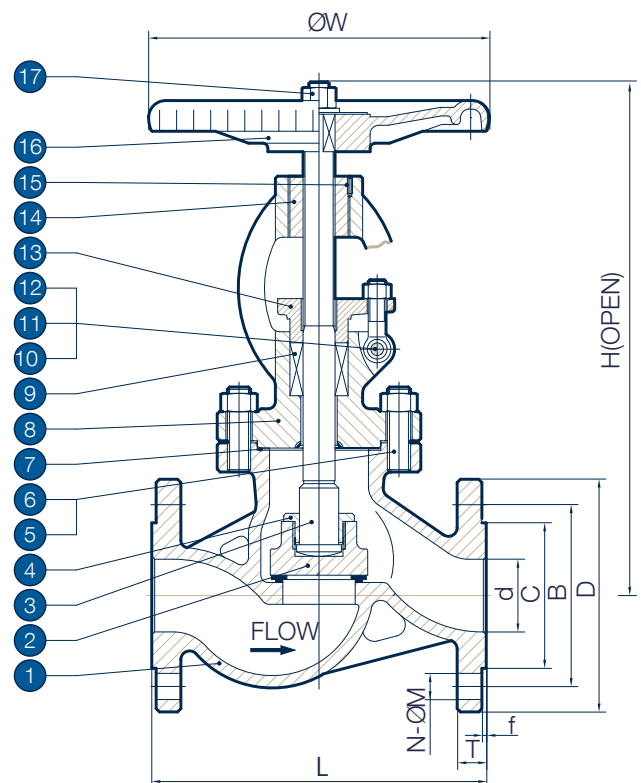
-20°C to 425°C (-4°F to 800°F)

» Note

For non-horizontal installation, please ensure to consult with us separately, as special request must be generated to ensure proper function.

Materials List:

| NO | PART NAME | MATERIAL |
|----|---------------|-------------------------|
| 1 | BODY | DIN 17245 GS-C25 + 13Cr |
| 2 | DISC | ASTM A105 +13Cr |
| 3 | STEM | ASTM A182 F6a |
| 4 | DISC BONNET | AISI 1025 |
| 5 | BONNET BOLT | ASTM A193 B7 |
| 6 | BONNET NUT | ASTM A194 2H |
| 7 | GASKET | SS304+FLEXIBLE GRAPHITE |
| 8 | BONNET | DIN 17245 GS-C25 |
| 9 | STEM PACKING | FLEXIBLE GRAPHITE |
| 10 | GLAND EYEBOLT | ASTM A193 B7 |
| 11 | GLAND NUT | ASTM A194 2H |
| 12 | PIN | AISI 1025 |
| 13 | GLAND FLANGE | DIN 17245 GS-C25 |
| 14 | STEM NUT | COPPER ALLOY |
| 15 | GRUP SCREW | CARBON STEEL |
| 16 | HANDWHEEL | DUCTILE IRON |
| 17 | LOCK NUT | ASTM A194 2H |



Dimensions (mm):

| SIZE | | d | D | B | C | W | L | H | T | f | N | M | WEIGHT (KG) |
|------|-----|-----|-----|-----|-----|-----|-----|-----|----|---|---|----|-------------|
| DN | NPS | | | | | | | | | | | | |
| 50 | 2" | 50 | 165 | 125 | 102 | 200 | 230 | 325 | 18 | 3 | 4 | 18 | 19 |
| 65 | 2½" | 65 | 185 | 145 | 122 | 220 | 290 | 385 | 18 | 3 | 4 | 18 | 28 |
| 80 | 3" | 80 | 200 | 160 | 138 | 250 | 310 | 410 | 20 | 3 | 8 | 18 | 35 |
| 100 | 4" | 100 | 220 | 180 | 158 | 300 | 350 | 455 | 20 | 3 | 8 | 18 | 45 |
| 125 | 5" | 125 | 250 | 210 | 188 | 350 | 400 | 510 | 22 | 3 | 8 | 18 | 64 |
| 150 | 6" | 150 | 285 | 240 | 212 | 400 | 480 | 560 | 22 | 3 | 8 | 22 | 91 |

GLOBE VALVE

Cast Steel OS&Y to DIN
PN16, DN200-DN300

KAD-GBF PN16-F1

» Features

Cast steel body construction providing liberal strength to meet most conditions
Integral yoke & bonnet; Outside screw & yoke, bolted bonnet
Seal welded seat ring eliminates leak path behind rings and for long trouble-free service
Available in flanged end connection; butt weld end also available
EN10204-3.1 Material certificate available

» Body Material

DIN 17245 GS-C25

» Standards

Basic design to DIN 3356
Face-to-Face acc. to DIN 3202-F1
Flange Dimensions acc. to EN 1092-1
Inspection & test according to EN 12266-1

» Temperature Range

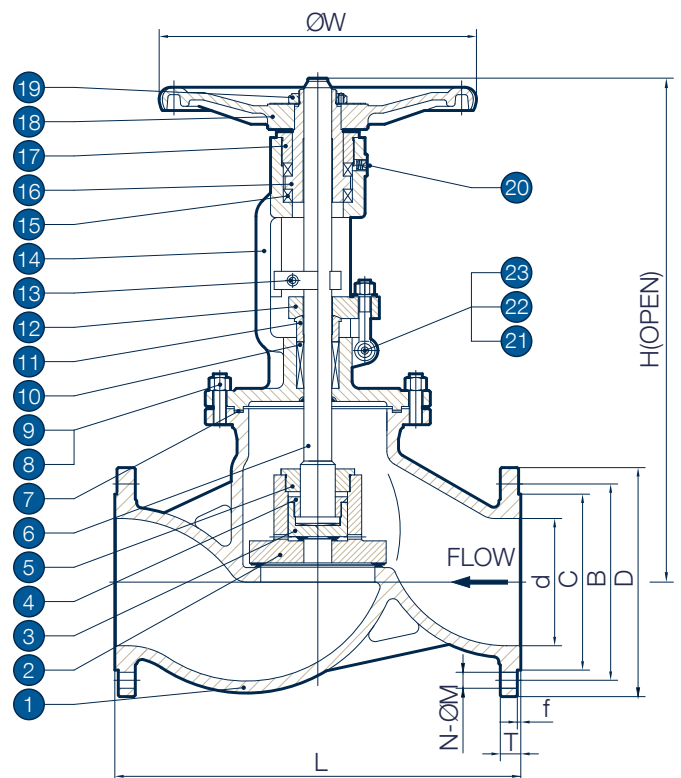
-20°C to 425°C (-4°F to 800°F)

» Note

For non-horizontal installation, please ensure to consult with us separately, as special request must be generated to ensure proper function.

Materials List:

| NO | PART NAME | MATERIAL |
|----|----------------|-------------------------|
| 1 | BODY | DIN 17245 GS-C25 + 13Cr |
| 2 | BIG DISC | ASTM A105 +13Cr |
| 3 | SMALL DISC | ASTM A105 +13Cr |
| 4 | SMALL DISC NUT | ASTM A105 |
| 5 | BIG DISC NUT | ASTM A105 |
| 6 | STEM | ASTM A182 F6a |
| 7 | GASKET | SS304+FLEXIBLE GRAPHITE |
| 8 | BONNET BOLT | ASTM A193 B7 |
| 9 | BONNET NUT | ASTM A194 2H |
| 10 | STEM PACKING | FLEXIBLE GRAPHITE |
| 11 | GLAND | ASTM A182 F6a |
| 12 | GLAND FLANGE | DIN 17245 GS-C25 |
| 13 | SPLINTS | CARBON STEEL |
| 14 | BONNET | DIN 17245 GS-C25 |
| 15 | BEARINGS | ALLOY STEEL |
| 16 | STEM NUT | ASTM A439 D2 |
| 17 | RETAINING NUT | AISI 1025 |
| 18 | HANDWHEEL | DUCTILE IRON |
| 19 | LOCK NUT | CARBON STEEL |
| 20 | NIPPLE | COPPER ALLOY |
| 21 | GLAND EYEBOLT | ASTM A193 B7 |
| 22 | GLAND NUT | ASTM A194 2H |
| 23 | PIN | AISI 1025 |



Dimensions (mm):

| SIZE | | d | D | B | C | W | L | H | T | f | N | M | WEIGHT (KG) |
|------|-----|-----|-----|-----|-----|-----|-----|------|----|---|----|----|-------------|
| DN | NPS | | | | | | | | | | | | |
| 200 | 8" | 200 | 340 | 295 | 268 | 450 | 600 | 750 | 24 | 3 | 12 | 22 | 175 |
| 250 | 10" | 250 | 405 | 355 | 320 | 500 | 730 | 932 | 26 | 3 | 12 | 26 | 310 |
| 300 | 12" | 300 | 460 | 410 | 378 | 550 | 850 | 1036 | 28 | 4 | 12 | 26 | 460 |