

STOP GLOBE VALVE ACID-PROOF TYPE ZSA320



CHARACTERISTIC:

- Diameter - 10 -100 mm;
- Pressure - 320 bar;
- Temperature - up to 250°C for acids, bases and other aggressive media;
- up to 550°C for non-toxic media; (with PTFE sealing up to 200°C);
- Medium - acids, liquors, water, steam and other non-toxic and non aggressive liquid and gas media, engine fuel.

VERSIONS:

type / ends / body material / disc and disc ring / drive type

Example: ZSA320 / --- / --- / ---

Example: ZSA320 / SW / L / ---

Type - body material	Sign	Ends	Sign	Disc and disc ring	Sign	Others	Sign	Drive type	Sign
X6CrNi18-10 or GX5CrNi19-10	ZSA320	Standard - BW	---	Standard	---	-----	---	Hand wheel	---
X2CrNiMo17-12-2 or GX5CrNiMo19-11-2	ZSB320	Socket weld	SW	Stellit	L	Indicator	X	AUMA Drive	NA
		Flanged	K					NWA Drive	NW
								MODACT Drive	NM

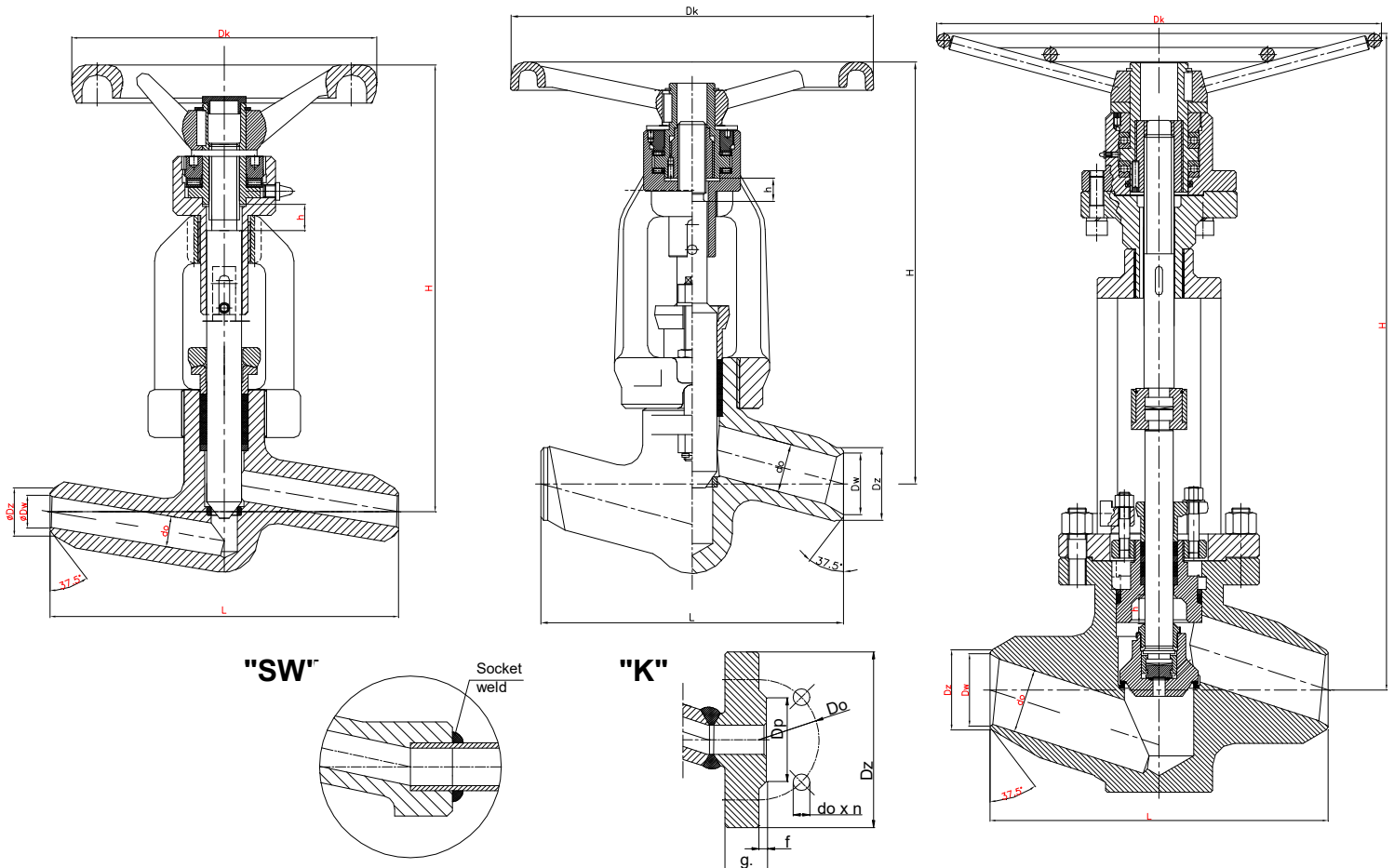
APPLICATION:

Stop globe valve (**ZSA320**) is designed to open and stop the flow. The valve is not supposed to be used as a regulating device. For regulation the version with throttling plug should be applied.

DN 10 ÷ 15

DN 20 ÷ 50

DN 65 ÷ 100



MATERIALS:

Versions	ZSA320	ZSB320	ZSA320	ZSB320
Parts	DN 15 - 65		DN 80 - 125	
Body, bonnet	X6CrNiTi18-10 (1.4541)	X2CrNiMo17-12-2 (1.4404)	GX5CrNi19-10 (1.4308)	GX5CrNiMo19-11-2 (1.4408)
Disc	X6CrNiTi18-10 (1.4541)	X2CrNiMo17-12-2 (1.4404)	X6CrNiTi18-10 (1.4541)	X2CrNiMo17-12-2 (1.4404)
Stem	X6CrNiTi18-10 (1.4541)	X2CrNiMo17-12-2 (1.4404)	X6CrNiTi18-10 (1.4541)	X2CrNiMo17-12-2 (1.4404)
Packing rings, gasket	Grafit			
Wheel	Cast iron			

Special materials on request; modifications reserved.

DIMENSIONS:

Standard – butt weld ends						H	h	Dk
DN	d	Dz	Dw	L	Weight			
10	10	20	12	160	2,90	205	12	140
15	14	22	15					
20	20	28	19					
25	24	35	24	160	7,20	266	19	200
32	30	44	31,5					
40	38	50	36					
50	44	77	59,5	300	29,50	418	23	360
65	62	91	68					
80	76	117	87,5					
100	92	144	109,5	430	125,00	720	50	GNR 500

Dimensions in mm; modifications reserved.

TECHNICAL DATA:

Body material	Medium	PN	Nominal working pressure at working temperature															
			20°C	100°C	150°C	200°C	250°C	300°C	350°C	400°C	450°C	480°C	500°C	510°C	520°C	530°C	540°C	550°C
X6CrNiTi18-10 (1.4541)	Aggressive media	320	320	317	299	283	270	-	-	-	-	-	-	-	-	-	-	-
		320	305	244	217	190	179	-	-	-	-	-	-	-	-	-	-	-
X6CrNiTi18-10 (1.4541)	Non Aggressive media	320	320	317	299	283	270	254	245	238	232	230	227	226	226	225	224	216
		320	305	244	217	190	179	168	156	145	133	128	122	-	-	-	-	-
X2CrNiMo17-12-2 (1.4404)	Aggressive media	320	320	320	312	297	293	-	-	-	-	-	-	-	-	-	-	-
		320	320	259	232	205	190	-	-	-	-	-	-	-	-	-	-	-
X2CrNiMo17-12-2 (1.4404)	Non Aggressive media	320	320	320	312	297	293	276	265	257	250	247	244	243	243	242	242	242
		320	320	259	232	205	190	175	167	160	155	154	153	-	-	-	-	-

MOUNTING AND OPERATING:

The valve can only be mounted and operated by skilled, properly trained and qualified personnel. Incorrect assembly or operation of the valve may have substantial impact on the entire system such as fluid leakage, reduction in system's function etc.

Before a valve is installed the pipeline must be clean from any mechanical impurities. The compatibility of critical parameters of the flow must be checked with the parameters of the valve. Stop globe valve can be mounted to a pipe-line in any position. The direction of flow should only comply with the arrow marked on the body. The valve should be operated strictly with its assign. In order to provide valve's reliability the following suggestions must be observed:

- medium flowing through the valve is supposed to be clean out of any mechanical impurities;
- the valve must be protected from any mechanical damages during its work;
- nominal parameters marked on the valve must be observed.