

STOP GLOBE VALVE ACID-PROOF TYPE ZFA63

CHARACTERISTIC:

Diameter	-	15 -200 mm;
Pressure	-	63 bar;
Temperature	-	up to 250°C for acids, bases and other aggressive media;
	-	up to 550°C for non-toxic media; (with PTFE sealing up to 200°C);
Medium	-	acids, liquors, water, steam and other non-toxic and non aggressive liquid and gas media, engine fuel.

VERSIONS: type - body material / ends / disc and disc ring / others

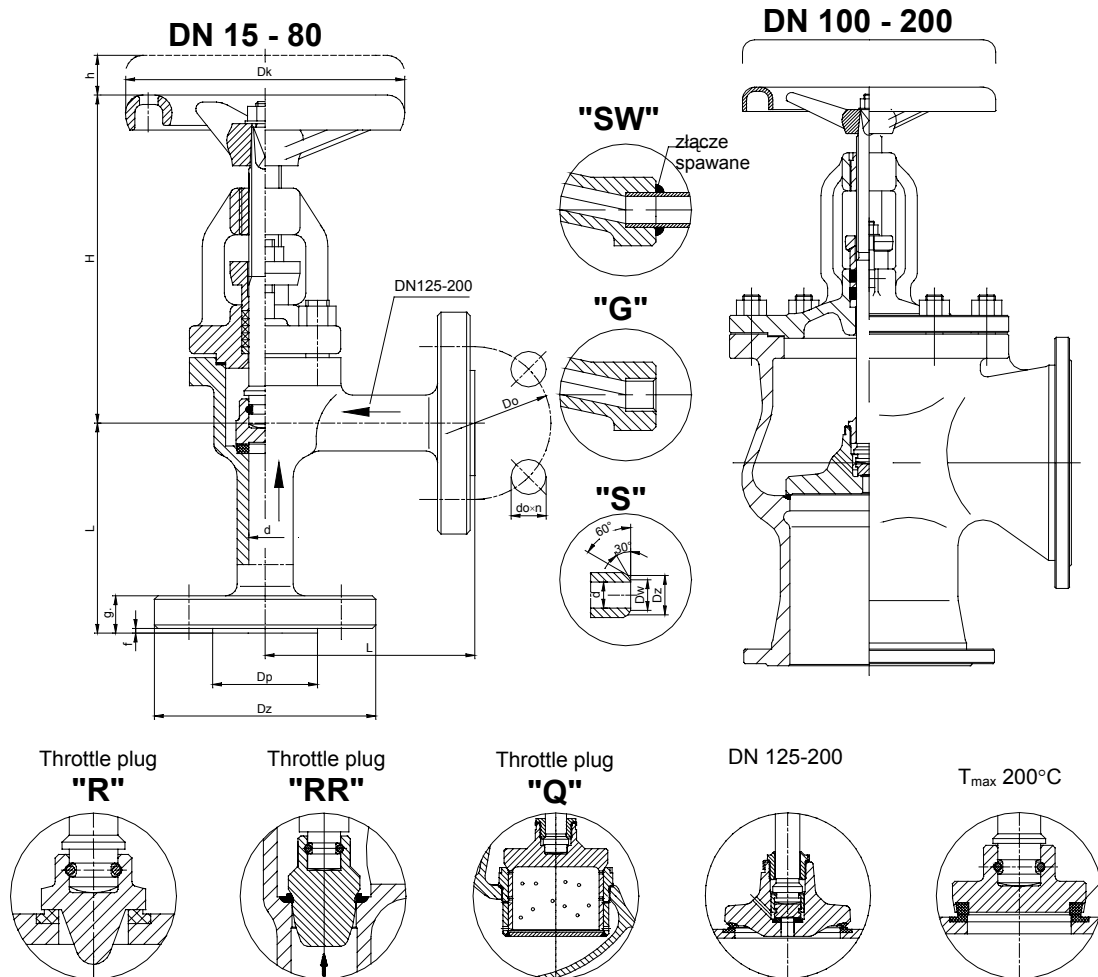
Example: ZFA63 / --- / --- / ---

Example: ZFB63 / S / R / ---

Type - body material	Sign	Ends	Sign	Disc and disc ring	Sign	Drive type	Sign	Others	Sign
X6CrNi18-10 or GX5CrNi19-10	ZKA63	Standard - flanged	---	Standard	---	Hand wheel	---	-----	---
X2CrNiMo17-12-2 or GX5CrNiMo19-11-2	ZKB63	Butt weld ends	S	Throttle plug	R	AUMA drive	NA		
		Socket weld	SW	Throttle plug	RR	NWA drive	NW		
		Threaded	G	Throttle plug	Q	MODACT drive	NM		
				PTFE ring	P	Pneumatic drive	NP		
				NBR ring	N				

APPLICATION:

Stop globe valve is designed to open and stop the flow. The valve is not supposed to be used as regulating device. For regulation the version "R" with throttling plug should be applied.



MATERIALS:

Version	ZFA63	ZFB63	ZFA63	ZFB63
Parts	DN 15 - 40		DN 50 - 200	
Body, bonnet	X6CrNiTi18-10 (1.4541)	X2CrNiMo17-12-2 (1.4404)	GX5CrNi19-10 (1.4308)	GX5CrNiMo19-11-2 (1.4408)
Disc	X6CrNiTi18-10 (1.4541)	X2CrNiMo17-12-2 (1.4404)	X6CrNiTi18-10 (1.4541)	X2CrNiMo17-12-2 (1.4404)
Stem	X6CrNiTi18-10 (1.4541)	X2CrNiMo17-12-2 (1.4404)	X6CrNiTi18-10 (1.4541)	X2CrNiMo17-12-2 (1.4404)
Gasket	Grafit + austenite			
Wheel	Cast iron			

Special materials on request; modifications reserved.

DIMENSIONS:

DN	Standard - flanged											
	PN 63											
	Dz	Dp	Do	do	n	L	g.	f	H	h	Dk	Weight
20	130	58	90	18	4	15	22	2	153	18	160	4,40

Dimensions in mm; modifications reserved.

TECHNICAL DATA:

Body material	Medium	PN	Maximal working pressure at working temperature															
			20°C	100°C	150°C	200°C	250°C	300°C	350°C	400°C	450°C	480°C	500°C	510°C	520°C	530°C	540°C	550°C
X6CrNiTi18-10 (1.4541)	aggressive media	63	63,0	62,4	58,8	55,8	53,1	-	-	-	-	-	-	-	-	-	-	-
GX5CrNi19-10 (1.4308)		63	63,0	57,3	51,6	47,1	43,5	-	-	-	-	-	-	-	-	-	-	-
X6CrNiTi18-10 (1.4541)	non aggressive media	63	63,0	62,4	58,8	55,8	53,1	50,1	48,3	46,8	45,7	45,2	44,7	44,1	43,8	43,3	42,8	42,6
GX5CrNi19-10 (1.4308)		63	63,0	55,5	48,0	42,8	37,5	35,2	33,0	30,7	28,5	26,2	24,0	-	-	-	-	-
X2CrNiMo17-12-2 (1.4404)	Aggressive media	63	63,0	63,0	61,3	58,5	57,7	-	-	-	-	-	-	-	-	-	-	-
GX5CrNiMo19-11-2 (1.4408)		63	63,0	51,0	45,8	40,5	37,5	-	-	-	-	-	-	-	-	-	-	-
X2CrNiMo17-12-2 (1.4404)	Non Aggressive media	63	63,0	63,0	61,3	58,5	57,7	54,4	52,1	50,6	49,3	48,6	48,0	47,9	47,8	47,7	47,7	47,6
GX5CrNiMo19-11-2 (1.4408)		63	63,0	51,0	45,8	40,5	37,5	34,5	33,0	31,5	30,6	30,4	30,2	-	-	-	-	-

MOUNTING AND OPERATING:

MOUNTING OF VALVE AND ITS SERVICE SHOULD BE MADE BY ORGANIZATION THAT HAS RIGHTS TO MAKE THAT KIND OF WORKS. THE PERSONEL OF THOSE ORGANIZATIONS IS SUPPOSED TO BE QUALIFIED.

Before valve will be installed the pipeline must be clean from any mechanical impurities. The compatibility of critical parameters of flow must be checked with the parameters of valve. Stop globe valve can be mounted to a pipe-line in any position. The direction of flow should only comply with the arrow marked on the body. The valve should be operate strictly with its assign. To make valve unfailing you must observe the following suggestions:

- medium flowing through the valve is supposed to be clean out of any mechanical impurities.
- the valve must be protected from any mechanical damages during his work.
- parameters should be the same as on the valve.