

# GATE VALVE

Cast Steel OS&Y to DIN  
PN40, DN40-DN150

## KSD-GTF PN40-F7

### » Features

Cast steel body construction providing liberal strength to meet most conditions  
Integral yoke & bonnet; Outside screw & yoke, bolted bonnet  
Single flexible wedge disc compensates for deformation of body due to pipe stresses  
Seal welded seat ring eliminates leak path behind rings and for long trouble-free service  
Available in flanged end connection; butt weld end also available

### » Body Material

DIN 17245 GS-C25

### » Standards

Basic design to DIN 3352  
Face-to-Face acc. to DIN 3202-F7  
Flange Dimensions acc. to DIN 2545  
Inspection & test according to EN 12266-1

### » Temperature Range

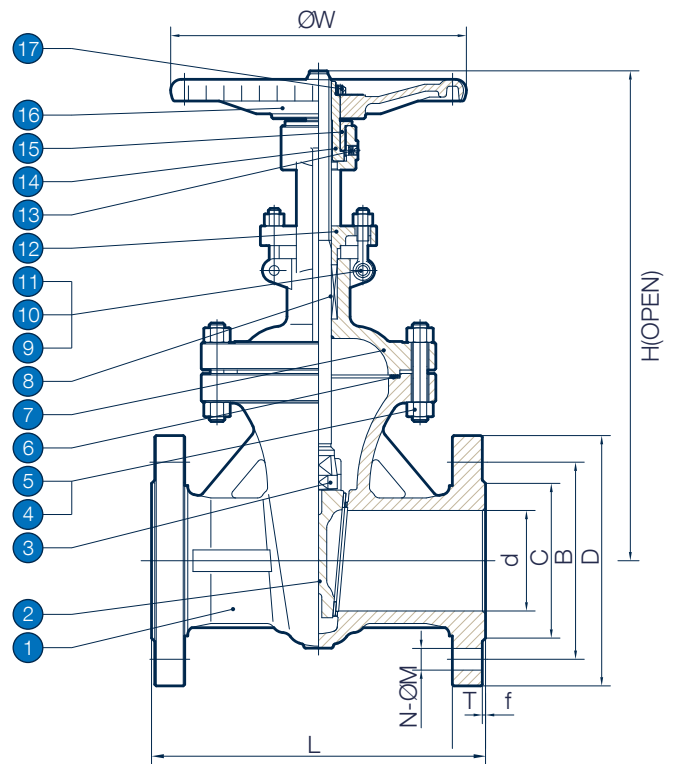
-20°C to 425°C (-4°F to 800°F)

### » Note

For non-horizontal installation, please ensure to consult with us separately, as special request must be generated to ensure proper function.

### Materials List:

NO	PART NAME	MATERIAL
1	BODY	DIN 17245 GS-C25 + 13Cr
2	WEDGE	DIN 17245 GS-C25 + 13Cr
3	STEM	ASTM A182 F6a
4	BONNET BOLT	ASTM A193 B7
5	BONNET NUT	ASTM A194 2H
6	GASKET	SS304+FLEXIBLE GRAPHITE
7	BONNET	DIN 17245 GS-C25
8	STEM PACKING	FLEXIBLE GRAPHITE
9	GLAND EYEBOLT	ASTM A193 B7
10	GLAND NUT	ASTM A194 2H
11	PIN	AISI 1025
12	GLAND FLANGE	DIN 17245 GS-C25
13	NIPPLE	COPPER ALLOY
14	STEM NUT	ASTM A439 D2
15	RETAINING NUT	AISI 1025
16	HANDWHEEL	DUCTILE IRON
17	LOCK NUT	AISI 1025



### Dimensions (mm):

SIZE		d	D	B	C	W	L	H	T	f	N	M
DN	NPS											
40	1½	40	150	110	88	180	240	365	18	3	4	18
50	2	50	165	125	102	200	250	410	20	3	4	18
65	2½	65	185	145	122	220	290	462	22	3	8	18
80	3	80	200	160	138	250	310	518	24	3	8	18
100	4	100	235	190	162	280	350	605	24	3	8	22
125	5	125	270	220	188	300	400	678	26	3	8	26
150	6	150	300	250	218	300	450	798	28	3	8	26

# GATE VALVE

Cast Steel OS&Y to DIN  
PN40, DN200-DN600

**KSD-GTF PN40-F7**

## » Features

Cast steel body construction providing liberal strength to meet most conditions  
Integral yoke & bonnet; Outside screw & yoke, bolted bonnet  
Single flexible wedge disc compensates for deformation of body due to pipe stresses  
Seal welded seat ring eliminates leak path behind rings and for long trouble-free service  
Available in flanged end connection; butt weld end also available

## » Body Material

DIN 17245 GS-C25

## » Standards

Basic design to DIN 3352  
Face-to-Face acc. to DIN 3202-F7  
Flange Dimensions acc. to DIN 2545  
Inspection & test according to EN 12266-1

## » Temperature Range

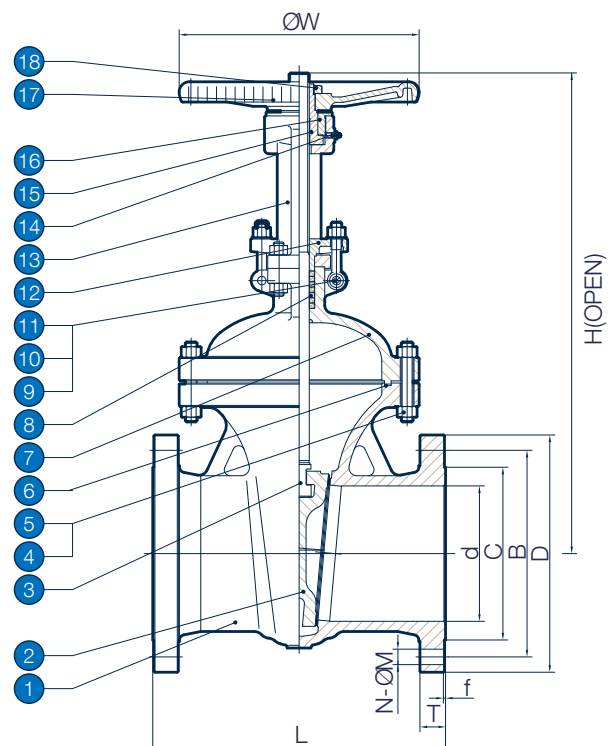
-20°C to 425°C (-4°F to 800°F)

## » Note

For non-horizontal installation, please ensure to consult with us separately, as special request must be generated to ensure proper function.

## Materials List:

NO	PART NAME	MATERIAL
1	BODY	DIN 17245 GS-C25 + 13Cr
2	WEDGE	DIN 17245 GS-C25 + 13Cr
3	STEM	ASTM A182 F6a
4	BONNET BOLT	ASTM A193 B7
5	BONNET NUT	ASTM A194 2H
6	GASKET	SS304+FLEXIBLE GRAPHITE
7	BONNET	DIN 17245 GS-C25
8	STEM PACKING	FLEXIBLE GRAPHITE
9	GLAND EYEBOLT	ASTM A193 B7
10	GLAND NUT	ASTM A194 2H
11	PIN	AISI 1025
12	GLAND FLANGE	DIN 17245 GS-C25
13	YOKE	DIN 17245 GS-C25
14	NIPPLE	COPPER ALLOY
15	STEM NUT	ASTM A439 D2
16	RETAINING NUT	AISI 1025
17	HANDWHEEL	DUCTILE IRON
18	LOCK NUT	AISI 1025



## Dimensions (mm):

SIZE		d	D	B	C	W	L	H	T	f	N	M
DN	NPS											
200	8	200	375	320	285	400	550	1015	34	3	12	30
250	10	250	450	385	345	450	650	1220	38	3	12	33
300	12	300	515	450	410	500	750	1440	42	4	16	33
350	14	350	580	510	465	550	850	1600	46	4	16	36
400	16	400	660	585	535	550	950	1780	50	4	16	39
500	20	500	755	670	615	700	1150	2200	52	4	20	42
600	24	600	890	795	735	700	1350	2650	60	5	20	48

# GATE VALVE

Cast Steel OS&Y to DIN  
PN40, DN700-DN1000



## KSD-GTF PN40-F7

### » Features

Cast steel body construction providing liberal strength to meet most conditions  
Integral yoke & bonnet; Outside screw & yoke, bolted bonnet  
Single flexible wedge disc compensates for deformation of body due to pipe stresses  
Seal welded seat ring eliminates leak path behind rings and for long trouble-free service  
Available in flanged end connection; butt weld end also available

### » Body Material

DIN 17245 GS-C25

### » Standards

Basic design to DIN 3352  
Face-to-Face acc. to DIN 3202-F7  
Flange Dimensions acc. to DIN 2545  
Inspection & test according to EN 12266-1

### » Temperature Range

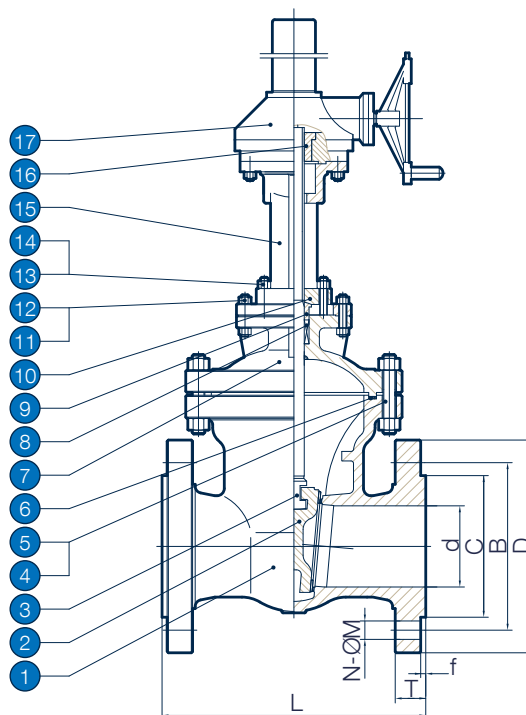
-20°C to 425°C (-4°F to 800°F)

### » Note

For non-horizontal installation, please ensure to consult with us separately, as special request must be generated to ensure proper function.

### Materials List:

NO	PART NAME	MATERIAL
1	BODY	DIN 17245 GS-C25 + 13Cr
2	WEDGE	DIN 17245 GS-C25 + 13Cr
3	STEM	ASTM A182 F6a
4	BONNET BOLT	ASTM A193 B7
5	BONNET NUT	ASTM A194 2H
6	GASKET	SS304+FLEXIBLE GRAPHITE
7	BONNET	DIN 17245 GS-C25
8	STEM PACKING	FLEXIBLE GRAPHITE
9	GLAND	ASTM A182 F6a
10	GLAND FLANGE	DIN 17245 GS-C25
11	BOLT	ASTM A193 B7
12	NUT	ASTM A194 2H
13	YOKE BOLT	ASTM A193 B7
14	YOKE NUT	ASTM A194 2H
15	YOKE	DIN 17245 GS-C25
16	STEM NUT	ASTM A439 D2
17	GEAR BOX	COMPONENTS



### Dimensions (mm):

SIZE		d	D	B	C	L	T	f	N	M
DN	NPS									
700	28	700	995	900	840	1550	64	5	24	48
800	32	800	1140	1030	960	1750	72	5	24	56
900	36	900	1250	1140	1070	1950	76	5	28	56
1000	40	1000	1360	1250	1180	2150	80	5	28	56