

GATE VALVE

Cast Steel OS&Y to DIN
PN16, DN40-DN150

KSD-GTF PN16-F5

» Features

Cast steel body construction providing liberal strength to meet most conditions
Integral yoke & bonnet; Outside screw & yoke, bolted bonnet
Single flexible wedge disc compensates for deformation of body due to pipe stresses
Seal welded seat ring eliminates leak path behind rings and for long trouble-free service
Available in flanged end connection; butt weld end also available

» Body Material

DIN 17245 GS-C25

» Standards

Basic design to DIN 3352
Face-to-Face acc. to DIN 3202-F5
Flange Dimensions acc. to DIN 2543
Inspection & test according to EN 12266-1

» Temperature Range

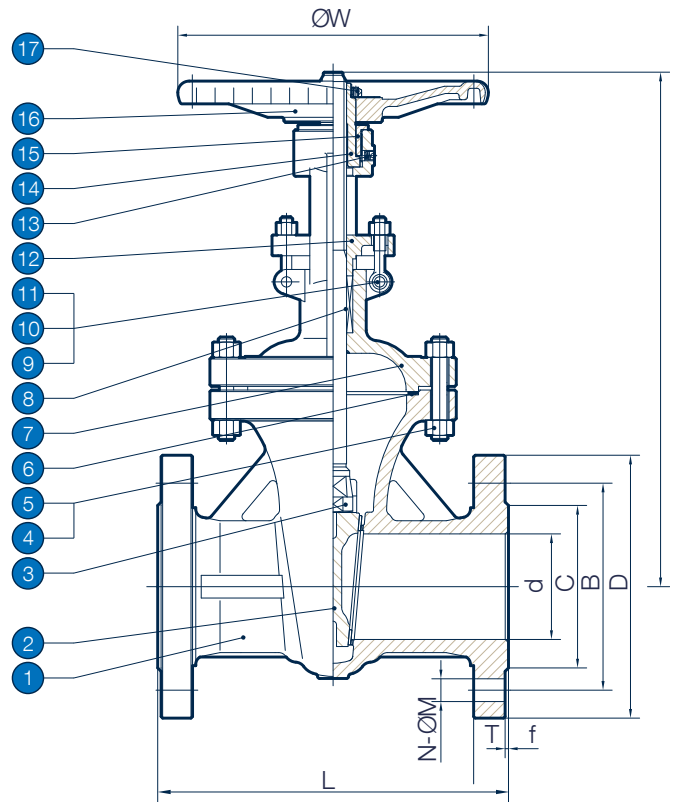
-20°C to 425°C (-4°F to 800°F)

» Note

For non-horizontal installation, please ensure to consult with us separately, as special request must be generated to ensure proper function.

Materials List:

NO	PART NAME	MATERIAL
1	BODY	DIN 17245 GS-C25 + 13Cr
2	WEDGE	DIN 17245 GS-C25 + 13Cr
3	STEM	ASTM A182 F6a
4	BONNET BOLT	ASTM A193 B7
5	BONNET NUT	ASTM A194 2H
6	GASKET	SS304+FLEXIBLE GRAPHITE
7	BONNET	DIN 17245 GS-C25
8	STEM PACKING	FLEXIBLE GRAPHITE
9	GLAND EYEBOLT	ASTM A193 B7
10	GLAND NUT	ASTM A194 2H
11	PIN	AISI 1025
12	GLAND FLANGE	DIN 17245 GS-C25
13	NIPPLE	COPPER ALLOY
14	STEM NUT	ASTM A439 D2
15	RETAINING NUT	AISI 1025
16	HANDWHEEL	DUCTILE IRON
17	LOCK NUT	AISI 1025



Dimensions (mm):

SIZE		d	D	B	C	W	L	H	T	f	N	M	Weight (KG)
DN	NPS												
40	1½	40	150	110	88	180	240	365	18	3	4	18	-
50	2	50	165	125	102	200	250	410	18	3	4	18	21
65	2½	65	185	145	122	220	270	462	18	3	4	18	28
80	3	80	200	160	138	250	280	518	20	3	8	18	32
100	4	100	220	180	158	280	300	605	20	3	8	18	43
125	5	125	250	210	188	300	325	678	22	3	8	18	62
150	6	150	285	240	212	300	350	798	22	3	8	22	85

GATE VALVE

Cast Steel OS&Y to DIN
PN16, DN200-DN600

KSD-GTF PN16-F5

» Features

Cast steel body construction providing liberal strength to meet most conditions
Integral yoke & bonnet; Outside screw & yoke, bolted bonnet
Single flexible wedge disc compensates for deformation of body due to pipe stresses
Seal welded seat ring eliminates leak path behind rings and for long trouble-free service
Available in flanged end connection; butt weld end also available

» Body Material

DIN 17245 GS-C25

» Standards

Basic design to DIN 3352
Face-to-Face acc. to DIN 3202-F5
Flange Dimensions acc. to DIN 2543
Inspection & test according to EN 12266-1

» Temperature Range

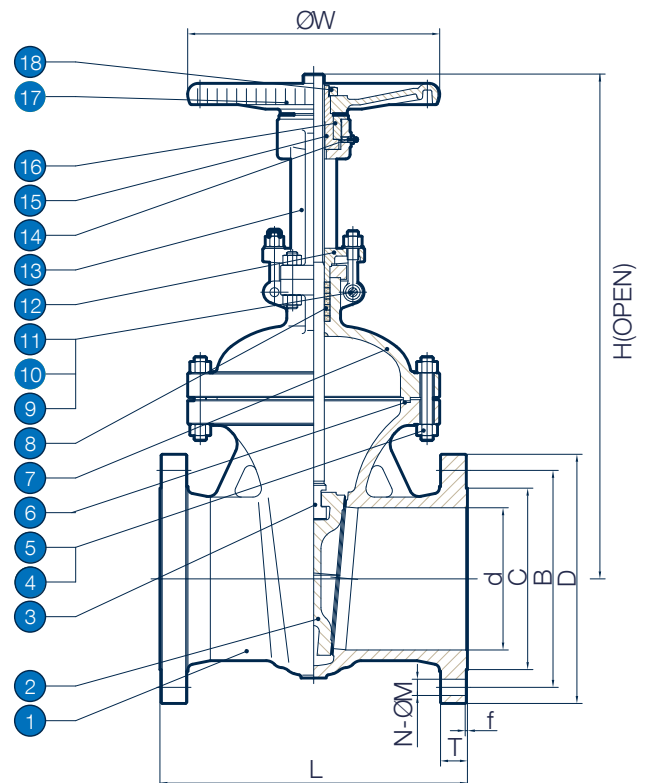
-20°C to 425°C (-4°F to 800°F)

» Note

For non-horizontal installation, please ensure to consult with us separately, as special request must be generated to ensure proper function.

Materials List:

NO	PART NAME	MATERIAL
1	BODY	DIN 17245 GS-C25 + 13Cr
2	WEDGE	DIN 17245 GS-C25 + 13Cr
3	STEM	ASTM A182 F6a
4	BONNET BOLT	ASTM A193 B7
5	BONNET NUT	ASTM A194 2H
6	GASKET	SS304+FLEXIBLE GRAPHITE
7	BONNET	DIN 17245 GS-C25
8	STEM PACKING	FLEXIBLE GRAPHITE
9	GLAND EYEBOLT	ASTM A193 B7
10	GLAND NUT	ASTM A194 2H
11	PIN	AISI 1025
12	GLAND FLANGE	DIN 17245 GS-C25
13	YOKE	DIN 17245 GS-C25
14	NIPPLE	COPPER ALLOY
15	STEM NUT	ASTM A439 D2
16	RETAINING NUT	AISI 1025
17	HANDWHEEL	DUCTILE IRON
18	LOCK NUT	AISI 1025



Dimensions (mm):

SIZE		d	D	B	C	W	L	H	T	f	N	M	Weight (KG)
DN	NPS												
200	8	200	340	295	268	350	400	985	24	3	12	22	125
250	10	250	405	355	320	400	450	1114	26	3	12	26	175
300	12	300	460	410	378	450	500	1340	28	4	12	26	275
350	14	350	520	470	438	500	550	1550	30	4	16	26	390
400	16	400	580	525	490	550	600	1700	32	4	16	30	465
500	20	500	715	650	610	700	700	2110	36	4	20	33	825
600	24	600	840	770	725	700	800	2540	40	5	20	36	1450

GATE VALVE

Cast Steel OS&Y to DIN
PN16, DN700-DN1000

KSD-GTF PN16-F5

» Features

Cast steel body construction providing liberal strength to meet most conditions
Integral yoke & bonnet; Outside screw & yoke, bolted bonnet
Single flexible wedge disc compensates for deformation of body due to pipe stresses
Seal welded seat ring eliminates leak path behind rings and for long trouble-free service
Available in flanged end connection; butt weld end also available

» Body Material

DIN 17245 GS-C25

» Standards

Basic design to DIN 3352
Face-to-Face acc. to DIN 3202-F5
Flange Dimensions acc. to DIN 2543
Inspection & test according to EN 12266-1

» Temperature Range

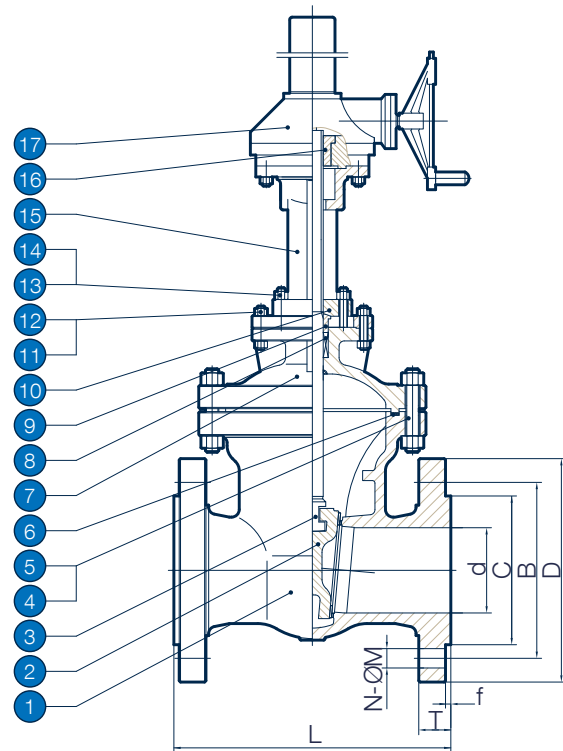
-20°C to 425°C (-4°F to 800°F)

» Note

For non-horizontal installation, please ensure to consult with us separately, as special request must be generated to ensure proper function.

Materials List:

NO	PART NAME	MATERIAL
1	BODY	DIN 17245 GS-C25 + 13Cr
2	WEDGE	DIN 17245 GS-C25 + 13Cr
3	STEM	ASTM A182 F6a
4	BONNET BOLT	ASTM A193 B7
5	BONNET NUT	ASTM A194 2H
6	GASKET	SS304+FLEXIBLE GRAPHITE
7	BONNET	DIN 17245 GS-C25
8	STEM PACKING	FLEXIBLE GRAPHITE
9	GLAND	ASTM A182 F6a
10	GLAND FLANGE	DIN 17245 GS-C25
11	BOLT	ASTM A193 B7
12	NUT	ASTM A194 2H
13	YOKE BOLT	ASTM A193 B7
14	YOKE NUT	ASTM A194 2H
15	YOKE	DIN 17245 GS-C25
16	STEM NUT	ASTM A439 D2
17	GEAR BOX	COMPONENTS



Dimensions (mm):

SIZE		d	D	B	C	L	T	f	N	M
DN	NPS									
700	28	700	910	840	795	900	42	5	24	36
800	32	800	1025	950	900	1000	42	5	24	39
900	36	900	1125	1050	1000	1100	44	5	28	39
1000	40	1000	1255	1170	1115	1200	46	5	28	42