

GATE VALVE TYPE GKA100

CHARACTERISTIC:

- Diameter - 50 -500 mm;
- Pressure - 100 bar;
- Temperature - up to 250°C for acids, bases and other aggressive media;
- up to 550°C for non-toxic media;
- Medium - acids, liquors, water, steam and other non-toxic and non aggressive media, engine fuel and sea water

VERSIONS:

type body material / drive type / others

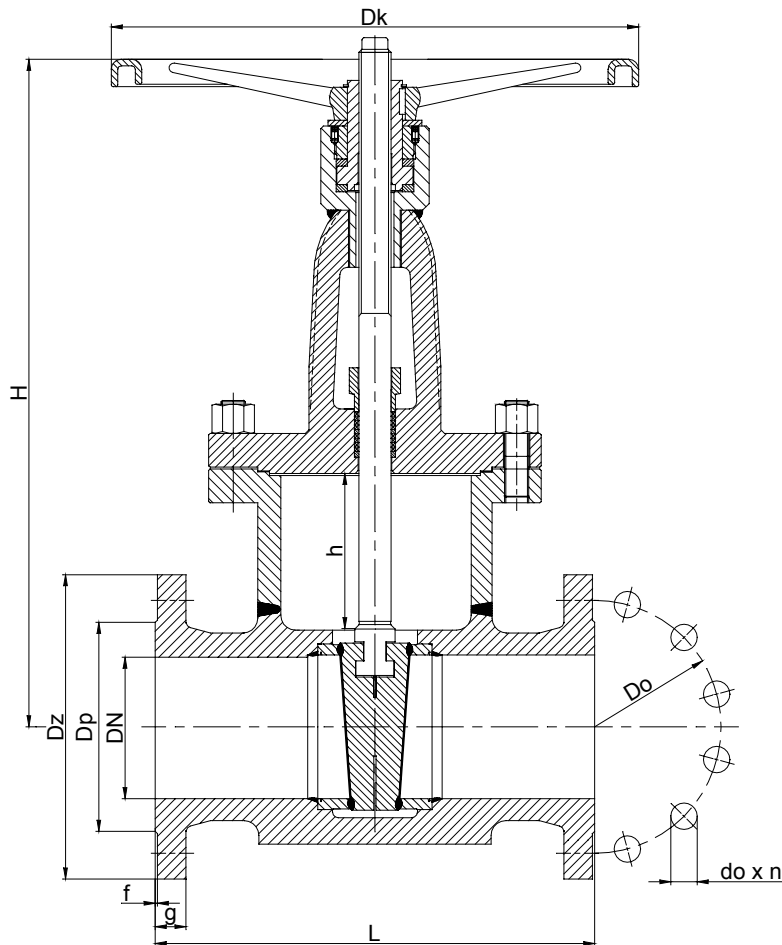
Example: GKA100 / --- / --- / ---

Example: GKB100 / NA / ---

Type	Body material	Sign	Drive type	Sign	Others	Sign
X6CrNiTi18-10 (1.4541)		GKA	Hand wheel	---	-----	---
X5CrNi18-10 (1.4301)			AUMA drive	NA		
X2CrNiMo17-12-2 (1.4404)		GKB	NWA drive	NW		
			MODACT drive	NM		
			Pneumatic drive	NP		

APPLICATION:

Gate valve is designed to open and stop the flow. The gate valve can be mounted to a pipeline in any position. It should operate in a close or open position.



MATERIALS:

Versions	GKA100	GKB100
Parts		
Body, bonnet	X6CrNiTi18-10 (1.4541)	X2CrNiMo17-12-2 (1.4404)
Wedge	X6CrNiTi18-10 (1.4541)	X2CrNiMo17-12-2 (1.4404)
Stem	X6CrNiTi18-10 (1.4541)	X2CrNiMo17-12-2 (1.4404)
Packing rings	PTFE , Grafit	
Wheel	Steel	

Special materials on request; modifications reserved.

DIMENSIONS:

DN	Dz	Dp	Do	do	n	L	g.	f	H	h	Dk	Weight
50	195	102	145	26	4	250	28	3	365	65	200	43,00
65	220	122	170	26	8	290	30	3	435	78	250	61,00
80	230	138	180	26	8	310	32	3	460	93	250	63,00
100	265	162	210	30	8	350	36	3	535	112	315	108,00
125	315	188	250	33	8	400	40	3	630	146	315	166,00
150	355	218	290	33	12	450	44	3	800	174	315	278,00
200	430	285	360	36	12	550	52	3	860	233	400	437,00
250	505	345	430	39	12	650	60	3	1055	260	500	692,00
300	585	410	500	42	16	750	68	4	1179	310	500	1010,00
350	655	465	560	48	16	850	74	4	1395	355	630	1158,00
400	715	535	620	48	16	1050	-	4	1520	410	GNR	-
450	-	-	-	-	-	1350	-	-	1790	460	GNR	-
500	870	615	760	56	4	1550	-	4	1910	510	GNR	-

Dimensions in mm; modifications reserved.

TECHNICAL DATA:

Body material	Medium	PN	Maximal working pressure at working temperature															
			20°C	100°C	150°C	200°C	250°C	300°C	350°C	400°C	450°C	480°C	500°C	510°C	520°C	530°C	540°C	550°C
			bar															
X6CrNiTi18-10 (1.4541)	aggressive media	100	100,0	99,0	93,3	88,5	84,2	-	-	-	-	-	-	-	-	-	-	-
X2CrNiMo17-12-2 (1.4404)		100	100,0	100,0	97,6	92,9	91,6	-	-	-	-	-	-	-	-	-	-	-
X6CrNiTi18-10 (1.4541)	non aggressive media	100	100,0	99,0	93,3	88,5	84,2	79,5	76,6	74,2	72,6	71,5	70,9	70,0	69,5	68,7	68,0	67,6
X2CrNiMo17-12-2 (1.4404)		100	100,0	100,0	97,6	92,9	91,6	86,3	82,7	80,4	78,3	77,3	76,2	76,1	75,9	75,8	75,6	75,6
X5CrNi18-10 (1.4301)		100	100,0	100,0	100,0	93,4	86,3	80,4	76,8	74,4	72,9	72,1	71,4	65,9	60,4	54,8	49,3	43,8
GX5CrNiMo19-11-2 (1.4408)	non aggressive media	100	100,0	81,0	73,0	64,0	60,0	55,0	52,0	50,0	49,0	49,0	48,0	48,0	48,0	47,0	47,0	47,0

MOUNTING AND OPERATING:

The gate can only be mounted and operated by skilled, properly trained and qualified personnel. Incorrect assembly or operation of the gate may have substantial impact on the entire system such as fluid leakage, reduction in system's function etc.

Before a gate is installed the pipeline must be clean from any mechanical impurities. The compatibility of critical parameters of the flow must be checked with the parameters of the gate. Gate can be mounted to a pipe-line in any position. The direction of the flow should only comply with the arrow marked on the body. The valve should be operated strictly with its assign. In order to provide gate's reliability the following suggestions must be observed:

- medium flowing through the gate is supposed to be clean out of any mechanical impurities;
- the valve must be protected from any mechanical damages during its work;
- nominal parameters marked on the valve must be observed.