

Type: 05012

Seat check valve in gun metal

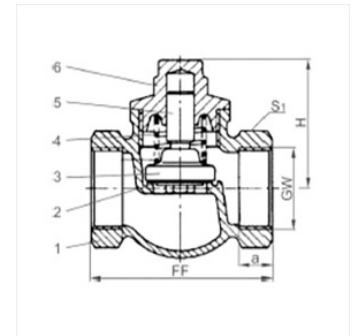
RG - female threaded, hinged disc

Application: water, steam, condensate and non-aggressive liquids

» With spring loaded cone

General Data

Type:	05012
Material:	Gun metal CC491K
Pressure class:	PN 16
Disc:	Brass
Spring:	Stainless steel
Seat:	Bronze Rg 5/PTFE
Temperature:	80°C to 16 bar, 120°C to 10 bar
Connection:	Inner thread acc. to ISO 228/1



05012

Item no.	DIMENSIONS (mm)			WEIGHT kg
	DN	Length	Height	
60507038	3/8"	50	40	0,2
60507012	1/2"	60	40	0,3
60507034	3/4"	70	50	0,4
60707100	1"	80	55	0,6
60707114	1 1/4"	95	55	0,9
60507112	1 1/2"	105	65	1,3
60507200	2"	130	75	2,0

KLINGER Portugal, Ltd.
 Via José Régio, 36
 Centro Empresarial Vilar do Pinheiro
 4485-860 Vila do Conde
 T: +351 229 470 910
 E-mail: geral@klinger.pt