



GREASE CONCENTRATOR

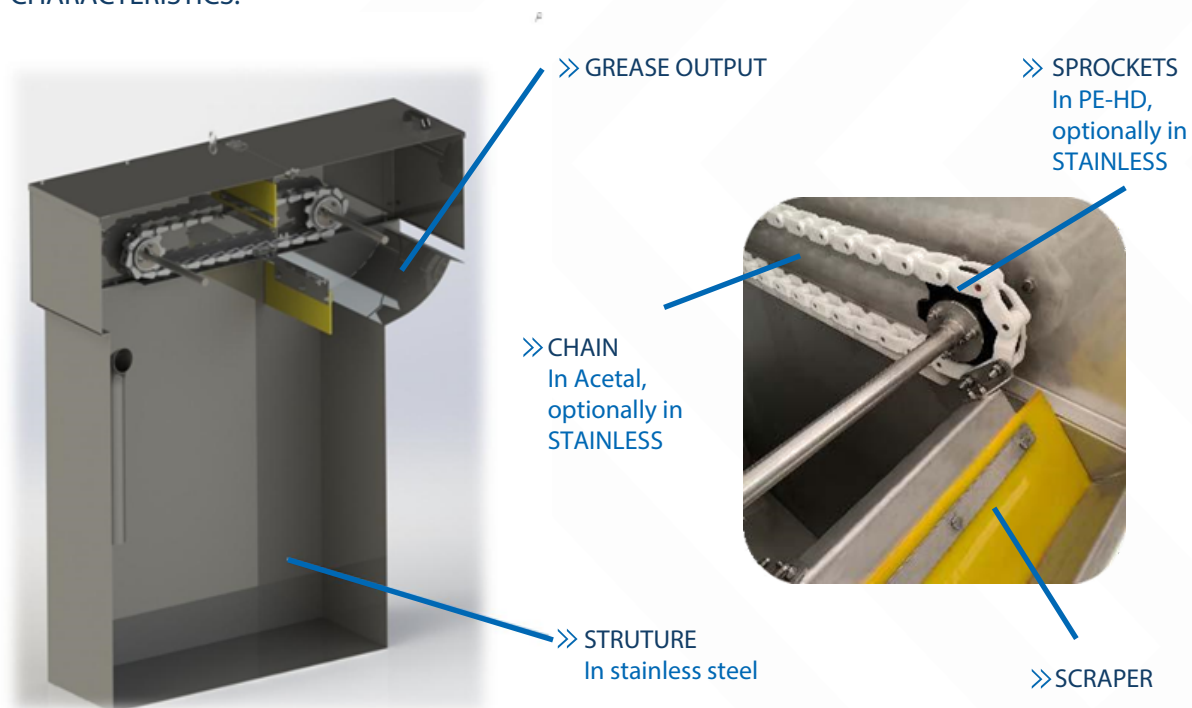
EQUIFLUXO/SG



The grease concentrator has the function of separating water from fats, oils, etc. The water is introduced through the flanged inlet connection where it is distributed evenly, helping the grease to separate and rise to the surface of the water. By means of a system of scrapers mounted on a mechanism of sprockets and chains of acetylene (or stainless steel, on request) are evacuated through the discharge chute. While this process is being carried out, the clean water grease-free, from the bottom, is forwarded through a siphon system to the flanged outlet connection.



CHARACTERISTICS:



- » Struture executed in Stainless Steel AISI316 or AISI304
- » Compact design
- » No submerged mechanisms or moving parts

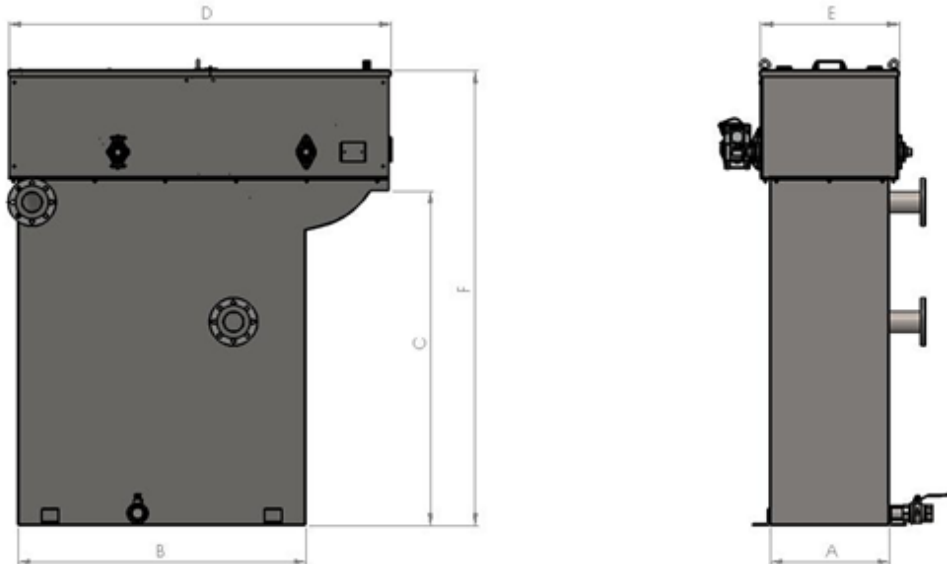
- » Easily accessible maintenance
- » Removable scrapers
- » Discharge of grease in container

GREASE CONCENTRATOR



EQUIFLUXO / SG

DIMENSIONS:



GENERAL DIMENSIONS AND FLOW

Model	Flow (m3/h)	A (mm)	B (mm)	C (mm)	D (mm)	E (mm)	F (mm)
SG-5	5	500	1200	1400	1600	580	1900
SG-12	12	600	1700	1400	2100	680	1900
SG-15	15	700	1700	1400	2100	780	1900
SG-20	20	1000	1850	1400	2250	1080	1900
SG-25	25	1250	2000	1400	2400	1330	1900
SG-30	30	1250	2450	1400	2850	1330	1900
SG-40	40	1500	2500	1400	2900	1580	1900
SG-50	50	1600	3400	1400	3800	1680	1900
SG-60	60	2000	3400	1400	3800	2080	1900

* The right to modify characteristics, dimensions or drawings is reserved

CONNECTIONS AND POWERS

Modelo	Inlet Flange (DN)	Outlet Flange (DN)	Motor Power (kW)	Odour Extraction (DN) (optional)
SG-5	80	80	0,18	100
SG-12	80	100	0,18	100
SG-15	100	125	0,18	100
SG-20	100	125	0,18	100
SG-25	100	125	0,18	100
SG-30	125	150	0,18	100
SG-40	125	150	0,18	100
SG-50	150	200	0,18	100
SG-60	150	200	0,18	100

Capacities calculated for urban wastewater with suspended solids content up to 350 ppm

