

Control Valves

Series 803

Valve 3-way diverting/mixing

BUROCCO
INDUSTRIAL VALVES srl

Technical data

Size (DN) DN 15 — 100
Pressure rating PN16, PN40
Connections Flanges UNI/DIN PN16, PN40
Type sealing Soft (Class VI), metallic (Class IV - V)
Characteristic Linear
Action **Pneumatic with diaphragm (supply max 3 bar)**
Temperature -20 to +205 °C

Description

The control valves serie 803 have three way globe body with screwed seats and function DIVERTING or MIXING. The plug is guided in its upper part and into seats. They are particularly indicated for regulation in medium/light plants. All Burocco valves are delivered as tested units and ready for a long lasting, maintenance free operation.



Options

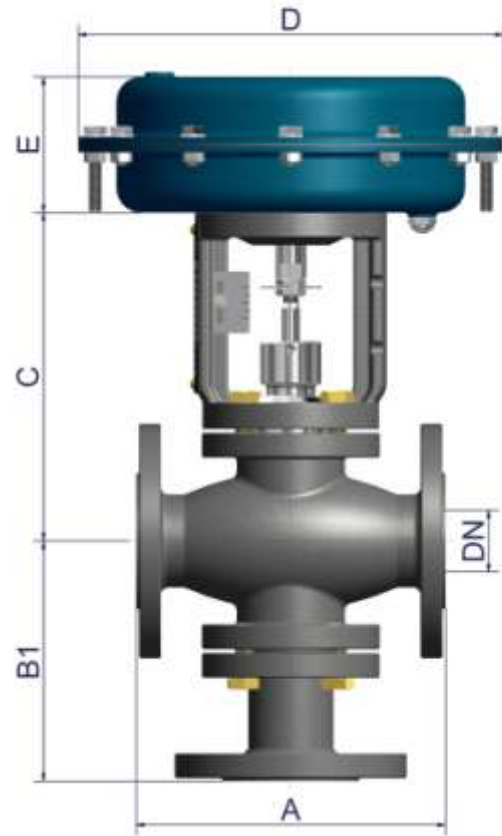
- ⇒ Metallic seal
- ⇒ Special 3 way DIVERTING CORRECT (size DN40-100)
- ⇒ Flanges drilling ANSI 150, (face to face) and rating UNI/DIN
- ⇒ Full stainless steel actuator for corrosive environment
- ⇒ Handwheel for emergency operation
- ⇒ Valve positioners
- ⇒ Limit switches
- ⇒ Position feedback
- ⇒ Airset
- ⇒ Electric linear actuators (230 V AC, 24 V AC/DC)

Flow rate coefficient (CV)

DN	CV			
	4	2,5	4	2,5
15	4	2,5		
20	7	4	2,5	
25	12	7	4	2,5
32	18	12	7	4
40	28	18	12	7
50	48	28	18	12
65	72	48	28	18
80	105	72	48	28
100	160	105	72	48

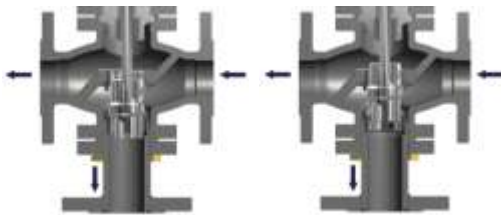
Control Valves
Series 803
Valve 3-way diverting/mixing

Materials	
Valve body	Nodular cast iron GGG 40 (PN16) Carbon steel ASTM A216WCB Stainless steel ASTM CF8M
Trim (plug - seat)	316L / 17-4PH / 316L+Stellite
Stem	316L
Packing	PTFE, PTFE+'OR' FPM, special
Body gasket	FASIT 400, SIL C4500, PTFE, special
Actuator	FE (epoxy varnish), stainless steel
Yoke	GGG 40 (epoxy varnish), stainless steel



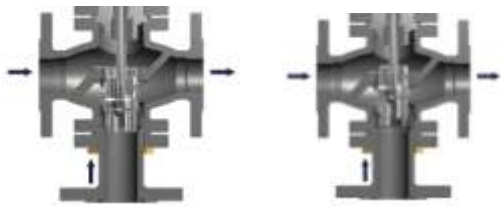
Function overview

Diverting serie 803D



Normally open straight way Normally open square way

Mixing serie 803M



Normally open straight way Normally open square way

Dimensions (mm)

DN	A	B1	C	D	E
15	130	156	212	205 / 275	88 / 100
20	150	156	212	205 / 275	88 / 100
25	160	156	212	205 / 275	88 / 100
32	180	156	212	275 / 340	100 / 135
40	200	156	212	275 / 340	100 / 135
50	230	166	212	275 / 340 / 430	100 / 135 / 135
65	290	220	298	340 / 430	135
80	310	220	298	340 / 430	135
100	350	240	318	430	135

Indicative weight*

DN	15	20	25	32	40	50	65	80	100
kg	15 / 18	17 / 20	18 / 21	26 / 32	27 / 33	34 / 41 / 45	59 / 65	63 / 69	88

* without positioner, airset or other accessories



Klinger Portugal, Lda.
Via José Régio, 36
Centro Empresarial Vilar do Pinheiro
4485-860 Vila do Conde
T: +351 22 947 0910
E-mail: geral@klinger.pt

Delegação Lisboa
Rua de Cabo Verde, 8
Prior Velho 2685-316
T: +351 21 940 6620
E-mail: lisboa@klinger.pt