

Control Valves  
 Series 3500  
 Low Flow Valves

Technical data

Size (DN) DN 4—10 (1/4")  
 Pressure rating UNI/DIN PN40, ANSI300  
 Connections Threaded 1/4" GAS, NPT  
 Welded BW, SW  
 Type sealing Metallic (Class IV - VI)  
 Characteristic Equalpercentage (eqp%)  
 Action Pneumatic with diaphragm (supply max 3 bar)  
 Temperature -30 to +180°C

Description

Microflow control valves with solid and compact shape, for low flow laboratory are designed for precision controlling (high rangeability 50:1). The body is manufactured from bar stock in stainless steel AISI 316L. Actuator and yoke are in stainless steel AISI 304. All Burocco valves are delivered as tested units and ready for a long lasting, maintenance free operation.



Options

- ⇒ Characteristic linear
- ⇒ Special alloys for body: Hastelloy, Duplex, Monel
- ⇒ Special rating PN63/100
- ⇒ Valve positioners
- ⇒ Limit switches
- ⇒ Position feedback
- ⇒ Airset

Flow rate coefficient (CV)

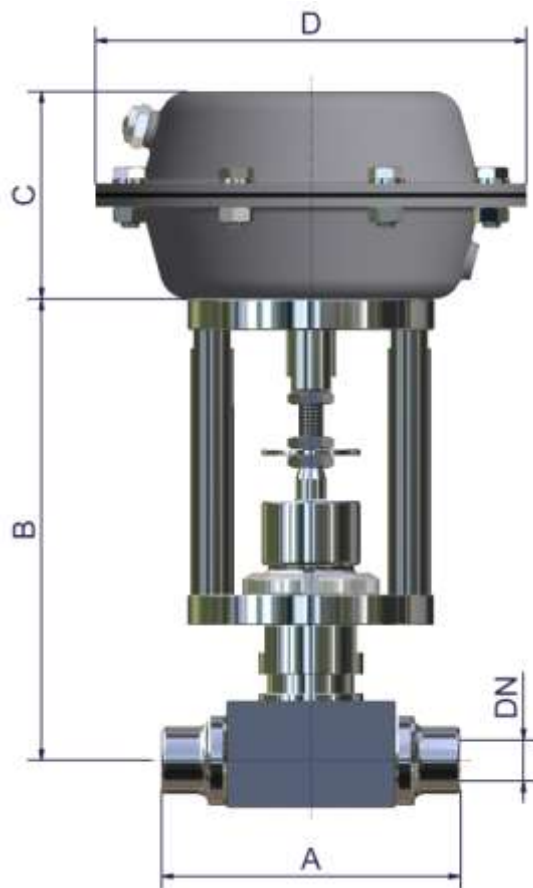
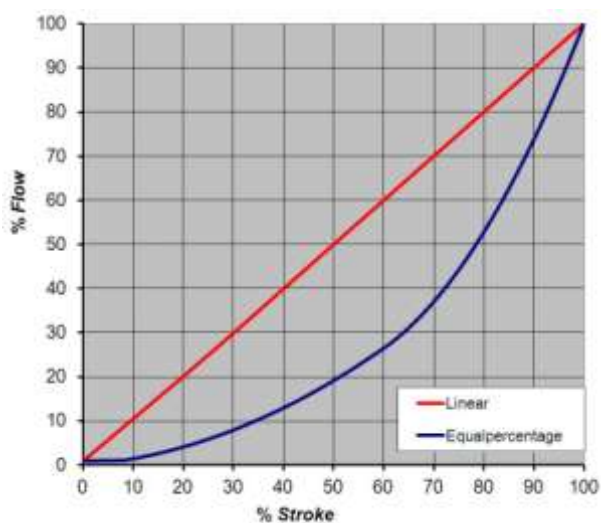
DN	CV	KVs
4/10	0,3	0,26
	0,2	0,17
	0,1	0,09
	0,08	0,068
	0,06	0,051
	0,05	0,043
	0,03	0,026
	0,02	0,017
	0,01	0,009

Control Valves  
Series 3500  
Low Flow Valves

**BUROCCO**  
INDUSTRIAL VALVES srl

Materials	
Valve body	AISI 316L
Trim (plug - seat)	17-4PH / AISI 316Ti NITRONIC 50 / AISI 316Ti
Steam	AISI 316L
Packing	PTFE, PTFE+'OR' FPM
Body gasket	PTFE
Acuator	Stainless steel
Yoke	Stainless steel

Control characteristic



Standard dimensions (mm)

DN	A	B	C	D
4/10	97	150	68	Ø140

Standard weight\*

DN	4/10
kg	3,3

\* without positioner, airset or other accessories



Klinger Portugal, Lda.  
Via José Régio, 36  
Centro Empresarial Vilar do Pinheiro  
4485-860 Vila do Conde  
T: +351 22 947 0910  
E-mail: geral@klinger.pt

Delegação Lisboa  
Rua de Cabo Verde, 8  
Prior Velho 2685-316  
T: +351 21 940 6620  
E-mail: lisboa@klinger.pt